



Win Awenen Nisitotung

November 15, 2023
Frozen Moon • Mshka'odin Giizis
Vol. 44 • No. 11



Bahweting Bidajimowin • Official newspaper of the Sault Ste. Marie Tribe of Chippewa Indians

Sault Tribe Fisheries hires lead biologist

BY BRENDA AUSTIN

Jack Tuomikoski was hired recently as the lead fisheries biologist for the Sault Tribe Fisheries Program.

Tuomikoski has an extensive background in fisheries management, research, and education that has taken him from the Pacific Northwest and into Montana, North Dakota, Wisconsin, and on the East Coast to North Carolina. He is also a Navy veteran, having served as an avionics technician, Petty Officer 3rd class, aboard the USS Independence (CV-62).

Most recently Tuomikoski worked as a Great Lakes Fisheries Assessment Biologist for the Bay Mills Indian Community from 2018 until accepting his new position with the Sault Tribe. While at Bay Mills, he worked on the implementation and development of fishery assessment, research, and monitoring programs to aid in managing commercial and subsistence fisheries within the 1836 treaty waters of the Great Lakes. He also served as a tribal representative on Great Lakes Interagency Technical Committees and the 1836 Modeling Subcommittee. He performed stock assessments for two Whitefish Bay lake whitefish stocks, supervised field crews, and managed the fisheries database.

From the Upper Peninsula, Tuomikoski spent the first part of his childhood in the Keweenaw before moving to Grand Marais. "I am a graduate of Burt Township High School in Grand Marais and have fond memories of fishing for steelhead, menominee and other fishes in Lake Superior and the nearby streams and inland

lakes," he said.

With a master's degree in statistics (Michigan Technological University, 2017), Tuomikoski has a solid background in the understanding and use of analytics and data management software that allow him to explore and analyze data visually, develop algorithms, and create models to help solve critical problems and share insights to inform data-driven decisions. He also holds a master's degree in fisheries and wildlife sciences (North Carolina State University, 2004); and a bachelor's degree in aquatic biology (University of Wisconsin, Superior, 2001).

As an educator, he taught college math prep, principles of biology, and general biology II.

In the field, he has participated in mark (tag) and recapture projects on endangered fish, built and installed antennas, and performed a variety of fish sampling. He has acted as a consultant with fish farmers and fisheries specialists from North Carolina, Pennsylvania, Florida, and Idaho and trained farmers to collect, record, enter and forward data. He has also authored and co-authored publications and technical reports.

He has had oversight of million-dollar budgets, facilitated oversight committee meetings, and worked with tribal, state, federal, and private agencies involved in fisheries research throughout the Columbia and Snake River Basins.

Tuomikoski said, "I have valued my opportunities to work with and learn from different tribal communities over the course of my career, including groups in the Columbia River Basin and more recently the Bay

Mills Indian Community. I see my role here with Sault Tribe as supporting the tribe with protecting tribal fishing rights, enhancing members' ability to access these rights, and ensuring the continued health of fish and the ecosystems that they rely on for generations to come."

The tribe's fisheries program is involved in long-term monitoring of different fish species through their Great Lakes fisheries assessment surveys and research. "These folks also do fisheries enhancement through hatchery work which includes groundbreaking work in fish rearing," he said. "As a member of the team within our fisheries program, I will support the assessment, research, and fisheries enhancements that are currently underway and look to the future to identify where the program can be the most useful."

Getting back to his Upper Peninsula roots, Tuomikoski said that one of the best parts of growing up in Grand Marais was he could walk home from school and fish at the mouth of a creek that emptied into Lake Superior behind his house. "As a young adult, after I completed my term in the Navy, I wasn't sure what I wanted to do next and college didn't seem that appealing. My best friend, who was a charter fishing captain on Isle Royale during the summers, was also going to school for aquatic biology. He told me about his experiences studying fish and it totally changed my outlook on education. The next fall I enrolled in the biology program at the University of Wisconsin Superior and started down the path of becoming a fisheries biologist," he said.



Jack Tuomikoski fly fishing in 2013 for winter steelhead on the Alsea River in Oregon.



Sisters harvest bucks - Olivia Ingalls (above), 11, shot this 8-pointer (Oct. 28), and her older sister Josie Ingalls (below), 13, also shot an 8-point buck (Oct. 12). Both bucks were taken in Twin Lake, Mich., where the family resides. Their parents are Adam and Megan Ingalls.



www.saulttribe.com

PRSRT STD
U.S. Postage
PAID
Permit No. 30
Gaylord, MI
49735

Win Awenen Nisitotung
531 Ashmun St.
Sault Ste. Marie, MI 49783

Fall health fairs served 165 tribal members in rural areas - Gladstone, Marquette, Munising



Photos by Marlene Glaesmann

Gladstone - Members received flu shots, health promotion information, health screenings and tribal program information from a variety of staff at the health fair booths. L-R: Tribal member participant Eilene Valencic, Pharmacist Jennifer Johnson, and Community Health Technician Chelsea Thompson.



Marquette - Members were provided flu shots, health promotion information and snacks in their vehicles at the drive thru clinics. L-R: NMU Student Nurse Gabi Tyner, Stephanie De-Petro, RN, CHN, and Valerie Ford, RN, CHN.



Munising - Members received flu shots, were provided health promotion information and tribal program information from a variety of staff at the health fair booths. L-R: Pharmacist Sarah Seder, Health Assistant Anne Cromell, Purchase Referred Care Program Tina Fox and staff and Tribal Administration Liaison Mary Jenerou.

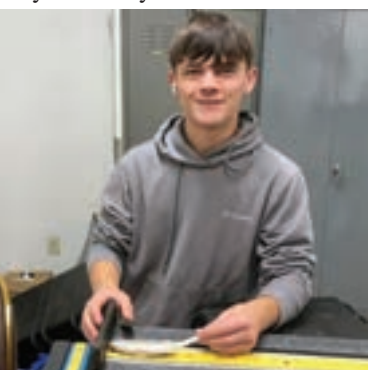
Fisheries Program hosts student worker

Sault Tribe Fisheries Enhancement Coordinator Rusty Aikens said the fisheries program just wrapped up a collaboration with the Eastern Upper Peninsula Intermediate School District's Career Technical Education center in conjunction with the Center for Freshwater Research at Lake Superior State University, which involved having a student worker assigned to the tribe's fisheries program for nine weeks.

Noah Blackie, 17, is a senior at Rudyard High School in Rudyard, Mich.

While working with the tribe, Blackie worked on gear repair, electrofishing, fyke net setting and lifting, fish transport, stomach dissection, data entry and hatchery preparation. Blackie said his favorite activity was electroshocking. "I enjoyed getting a chance to see how a fisheries agency operates. There are many different activities taking place every day and I am glad I was able to help with them."

Aikens said, "We really enjoyed having Noah be part of the team over the last nine weeks. It's a pleasure to expose young tribal members to career option in fisheries and it's reassuring to know that fisheries remain important to our tribal youth so they can carry on that tradition."



Noah Blackie measures a fish.



Blackie sewing a net and making repairs.



Photos by Holly Kibble

Elders participated in Halloween bingo Oct. 31 at their Halloween party. L-R: Chelsea Aikens, Phil Nertoli, Krissy Giffin and Shirley Van Alstine (bottom right).



L-R: Sault Tribe elders Carol Lawrence, Bob Lawrence, Chelsea Aikens, and Suzanne Stevenson.

Looking for a new career?

Financial aid provided: tuition & fees, mileage, internet reimbursement, books/materials, exam fees, hourly stipend

Check out our online & in-person program options by scanning here:



WOCTEP is funded by the US Department of Education through the NACTEP program. Federal funds contribute to 92% of funding (\$500,666) and tribal support of 8% (\$42,329) for project year 1 (2022)



Committee vacancies - volunteers needed!

The following Sault Tribe Committees have vacant seats. Sault Tribe members interested in filling these vacancies should submit one letter of intent and three letters of recommendation from other members to Lona Stewart at 523 Ashmun Street, Sault Ste. Marie, MI 49783, or call (906) 635-6050 with any questions.

Anishinaabe Cultural Committee - Ten vacancies - five males (4-year term), five females (4-year term)
 Child Welfare Committee - Three vacancies (4-year term)
 Health Board - Two vacancies (4-year term)
 Housing/Utility Authority - One vacancy (4-year term)
 Special Needs/Enrollment

Committee - (2-year term)
 Unit I - Two vacancies
 Unit II - Two vacancies
 Unit III - Two vacancies
 Elder Advisory Committee
 Unit I - Sault - One alternate vacancy (4-year term)
 Unit II - Hessel - One alternate vacancy (4-year term)
 Unit II - Naubinway - One regular vacancy (4-year term)

Unit III - St. Ignace - Two alternate vacancies (4-year term)
 Unit V - Munising - One regular vacancy (4-year term)
 Unit V - Marquette - One alternate vacancy (4-year term)
 Elder Subcommittees
 Unit I - Sault - One alternate vacancy (4-year term)

Unit IV - Manistique - One alternate vacancy (4-year term)
 Unit IV - Escanaba - Two alternate vacancies (4-year term)
 Unit V - Munising - One regular vacancy, two alternate vacancies (4-year term)
 Unit V - Marquette - One regular vacancy (4-year term)

WIOA funding for on-the-job training

The Sault Ste. Marie Tribe of Chippewa Indians Workforce Innovation and Opportunities Act (WIOA) Program has funding available for on-the-job training and short-term occupational training opportunities.

provide tuition assistance for skills training if it leads to an industry-recognized certification or under OJT, the program may reimburse an employer 50 percent of your wage for a specified training period.

Candidates must meet eli-

gibility requirements and be a resident of the seven-county service area.

Apply at WIOA at Big Bear Community Recreation Center in Sault Ste. Marie, or call Brenda Cadreau at (906) 635-4767.

Senior Employment positions available

Three Senior Employment jobs are available. If interested, reply to the Elder Employment Program, Attn: Brenda Cadreau, 523 Ashmun St., Sault Ste. Marie, MI 49783 or call (906) 635-4767.

Applicants must be a Sault Tribe member age 60 or over and reside in the seven county service area. Jobs are 14 hours per week at \$13.072 per hour.

Part-time *youth elder worker* is needed for the Escanaba YEA Program to assist YEA staff.

A *Community Health Program Clerk* is needed for the Marquette Tribal Community Health Center. The Community Health Program Clerk will be responsible for providing clerical support and program resource,

consultation and coordination services to the Community Health Program and staff located at the center.

The Hessel Tribal Center is looking for a *kitchen aide*. The kitchen aide, under the direction of the cook, assists with the preparation of elder congregate

meals for an assigned meal site.

Must undergo and pass a Criminal background investigation and pre-employment drug test. Must be insurable to drive GSA vehicle.

Experience in home meal preparation and Serve Safe Certification preferred.

Enrollment announcement

Up to date addresses sought
 Sault Tribe members whose addresses are not up to date have "bad addresses" with the tribe's Enrollment Department.

Please check over the names on the list and if you see a friend or relative on the list let them know.

Go to the tribe's website at saulttribe.net and scroll down

Membership Services to Tribal Enrollment. Then go to the Information column on the left side of the Enrollment page and select "Up to date addresses sought."

Call 800-251-6597 or email Stacey Synett at ssynett@saulttribe.net.

GAS & CIGARETTE DISCOUNTS

TRIBALLY OWNED OFFERING GAS AND CIGARETTE DISCOUNTS

MidJim Convenience Store, 2205 Shunk Rd., Sault Ste. Marie
MidJim Convenience Store II, 3045 Mackinac Trail, St. Ignace

TRIBALLY OWNED OFFERING GAS DISCOUNT ONLY

White Pine Lodge, 7889 E, W. M-28, Christmas
University BP at 301 W. Fair Ave., Marquette

NON-TRIBAL OWNED STATIONS OFFERING GAS DISCOUNT ONLY

Newberry Sunoco Gas Station, 13975 M-28, Newberry
Manistique Oil company, 216 Deer St., Manistique
Carnes BP, 2300 Ludington St., Escanaba
Kinross BP Local Express, 4440 Tone Rd., Kincheloe
Cedar Pantry, 159 W M-134, Cedarville

Membership liaisons available

Three membership liaisons work with the chairperson's office on membership issues and concerns across the service area. The liaisons respond to membership issues and follow up to ensure they are resolved. Sault Tribe members are encouraged to contact the liaisons when they need help with tribal issues by emailing them at membersconcerns@saulttribe.

net or contacting them individually at: Clarence Hudak, Lambert Center, St. Ignace, Mich., (906) 643-2124, chudak@saulttribe.net. Mary Jenerou, Manistique Tribal Center, (906) 341-8469; Munising Centers, (906) 450-7011 or (906) 450-7011, mjenerou@saulttribe.net. Michelle Moore at (906) 635-6050, mmoore@saulttribe.net.

Brooklyn Everleigh-Grace Houghton born

Brooklyn Everleigh-Grace Houghton was born Oct. 30, 2023, at MyMichigan Sault in Sault Ste. Marie, Mich. She weighed 9 pounds, 6 ounces, and was 21.5 inches in length.

Parents are Areka Foutch and Jordan Houghton of the Sault along with big brother Mason.



Brooklyn Houghton

Grandparents are Heidi and Roger Steinkohl, and Kathy Galloway, all of Sault Ste. Marie. Great grandparents are Joann and Joe Smith of Reunion, Fla., and Barbara Dietz of Sault Ste. Marie. Great great grandmother is the late Grace Flowers of the Sault.



Big Brother Mason gives his baby sister Brooklyn a kiss.

LIHEAP/LIHWAP Notice

Sault Tribe's Anishnaabek Community and Family Services (ACFS) Low Income Household Energy Assistance Program (LIHEAP) began accepting

applications on Nov. 1. LIHEAP provides assistance to reduce the home heating/energy costs to eligible tribal households in the seven-county service area.

Sault Tribe's ACFS Low Income Household Water Assistance Program (LIHWAP) currently has funding available for the 2023-2024 funding year. LIHWAP provides assistance to restore water service/prevent water disconnections to eligible Sault Tribe housings in the tribe's seven-county service area.

Please contact a Case Manager in your area if you would like assistance completing these applications. Applications are available at the following ACFS Offices:

2218 Shunk Road, Sault Ste. Marie, MI 49783, (906) 632-5250
 60 Kincheloe Drive, Kincheloe, MI 49788, (906) 495-1232
 1140 N. State Street, St. Ignace, MI 49781, (906) 643-8689
 5698 W Highway US-2, Manistique, MI 49854, (906) 341-6993
 622 W. Superior Street, Munising, MI 49862, (906) 387-3906

Download a print version at: www.saulttribe.com/membership-services/acfs/direct-services/low-income-home-energy-assistance

YOU'RE THE Top Dog WHEN YOU BANK WITH US

JOIN OUR PACK TODAY!

CSB CENTRAL SAVINGS BANK
 ASK WHAT THE CSB FAMILY CAN DO FOR YOU

906-635-6250
CENTRALSAVINGSBANK.COM

Member FDIC

Win Awenen Nisitotung

The official newspaper of the Sault Ste. Marie Tribe of Chippewa Indians.

November 15, 2023
 Frozen Moon
 Mshka'odin Giizis

Jennifer Dale-Burton.....Editor
 Sherrie Lucas.....Secretary
 Brenda Austin.....Staff Writer
 Scott Brand.....Staff Writer

Win Awenen Nisitotung welcomes submissions of news articles, feature stories, photographs, columns and announcements of American Indian or non-profit events. All submissions are printed at the discretion of the editor, subject to editing and are not to exceed 400 words. Unsigned submissions are not accepted.

Please note the distribution date when submitting event information for our community calendar. Submissions can be mailed, faxed or e-mailed. The distribution date is the earliest the newspaper can arrive in the seven-county service area.

Win Awenen Nisitotung is funded by the Sault Ste. Marie Tribe of

Chippewa Indians and is published 12 times a year. Its mission is to inform tribal members and the public about the activities of the tribal government, membership programs and services and cultural, social and spiritual activities of Sault Tribe members.

Win Awenen Nisitotung, in Anishinaabemowin, means, "One who understands," and is pronounced "Win Oh-weh-nin Nis-toe-tuhng."

See our full, online edition at www.saulttribe.com.

Subscriptions: \$18 per year, \$11 for senior citizens and \$30 to Canada. Call for other foreign countries.

Subscribe by sending your name and mailing address to the address below with your check or money order made out to the Sault Ste. Marie Tribe of Chippewa Indians. Or, call (906) 632-6398 to pay by credit card.

Advertising: \$8.50/column inch. (Paid advertising with editorial content will be treated as editorial content.)

Submission and Subscriptions:
 Win Awenen Nisitotung
 Attn: Communications Dept.
 531 Ashmun St., Sault Ste. Marie, MI 49783; (906) 632-6398
 Email: slucas@saulttribe.net or jdale-burton@saulttribe.net

"For All Your Tire Needs"



U.P. TIRE

Complete Tire Sales & Service
 BRIDGESTONE Firestone

(906) 632-6661
 1-800-635-6661

1129 E. Easterday Ave., Sault, MI 49783

Kinoomage Gamig: The first Learning Lodge

BY SCOTT BRAND

Addressing a packed gymnasium at the Rudyard Area Schools, Youth Education and Activities (YEA) Program Coordinator Jackie Minton shared her own personal history of being born in 1961 and taken at the age of two to a Catholic Orphanage in Marquette. She would eventually be adopted by a family in the western end of the Upper Peninsula without learning her true identity and Native American traditions until she was an adult.

Her experience was not an isolated one, and in the background stood eight panels, the portable boarding school boards, detailing the past.

"The eight panels, they are a synopsis of what happened in this country from 1860-1978," said Minton. "And one of the last ones that closed was the Harbor Springs School."

Minton observed that many of the students in the audience had forefathers who were taken from their families during that 118-year time frame.

"This was a dark period," said Minton. "The reason we like to make people aware of this is so it never happens again."

Minton's remarks came at the Grand Opening of the Sault Ste. Marie Tribe of Chippewa Indians new Kinoomage Gamig (Learning Lodge) on Oct. 20.

"It's time to heal and start making good relationships with each other," said Minton observing that process has already begun. "Many of you helped us build this lodge, that's pretty special you helped us with that."

Kinoomage Gamig is the first Anishnaabe Learning Lodge to be constructed in a public-school setting by the Sault Tribe of Chippewa Indians in the Great



Photo by Scott Brand

Student Services Assistant Julie Perry, YEA Coordinator Jackie Minton and Josh Biron dedicated perhaps the first Learning Lodge constructed by any tribe in a public school setting. Kinoomage Gamig had its grand opening on Oct. 20.

Lakes region. The Sault Tribe oversees the lodge and consults

with Elders and Pipe Carriers to bring beneficial programs to the

students.

"This is the first lodge built in the State of Michigan and I think it might be the first in the nation," said Minton to loud applause from those in attendance.

The Learning Lodge will host a variety of anticipated activities including traditional language, reading a compass, following animal sign, utilizing stars for navigation, constructing dream catchers, utilizing porcupine quills and cooking traditional foods.

"It will be a nice calming place for you to come, sit and relax, and learn something," said Minton. "The lodge will be here for you to enjoy throughout your high school career."

For more information on Kinoomage Gamig contact Jackie Minton or Student Services Assistant Julie Perry at (906) 440-1870.

USDA seeks to expand Native American homeownership

WASHINGTON – U.S. Department of Agriculture (USDA) Acting Under Secretary for Rural Development Roger Glendenning announced the Department is partnering with eight Native Community Development Financial Institutions (NCDIFs) to expand homeownership opportunities for Native Americans living on Tribal lands in eight states.

"Well-built, energy-efficient, affordable housing is essential

to the vitality of communities in rural and Tribal America," Glendenning said. "Since 1949, USDA has helped provide homes for people living in rural and Tribal communities, and our partnership with Native Community Development Financial Institutions strengthens that legacy. That's why we are proud to partner with these expert organizations to help us continue driving economic security and prosperity for people in tribal communities across the nation."

"USDA is continuing to build new partnerships and find innovative ways to help all rural residents achieve the goal of homeownership," said USDA Rural Development State Director for Michigan Brandon Fewins.

USDA is providing funding to each institution through the Native CDFI Relending Demonstration Program. This USDA program provides loans to NCDIFs to relend to eligible homebuyers on Native lands.

In Michigan, Lake Superior Community Development Corporation is receiving a \$500,000 loan to finance five homes. Executive Director Eddy Edwards said this organization was founded by the Keweenaw Indian Community as a non-profit in 2008.

"They are looking for partners like us," said Edwards of the USDA's special demo program. "They will loan us \$500,000 for 33 years at one percent."

Edwards explained that money will then be made available to tribal members seeking to buy a home on reservation lands and estimated the current mortgage rate would be at 4 ¼ percent for those who qualify, well below the current rate.

"We're trying to line up some tribal members," he said encouraging anyone meeting the criteria to contact his office at (906) 524-5445. "They can call and see if they are eligible."

SATURDAYS IN DECEMBER 🎄 ALL SITES



Christmas Trees
of CASH and Credits

Hot Seat Draws Starting at 5 p.m.

Win Up To \$100 Kewadin Credits or \$200 CASH

WIN YOUR SHARE OF UP TO \$35,000 CASH AND CREDITS

See Northern Rewards Club to register and for more details. Must earn 50 base points to qualify for promotion.

MANISTIQUE 🎄 ST. IGNACE 🎄 SAULT STE. MARIE 🎄 HESSEL 🎄 CHRISTMAS

U.P. FOR BUCKS

All Sites | Saturdays in November

Win Your Share of Over \$54,000 CASH and Credits!

CAN-A-THON

All Sites | November 1-30

Donate Three Non-perishable Canned Goods and Receive \$5 in Kewadin Credits!

I LIKE BIG BUCKS

Manistique | November 17

Win Your Share of Over \$7,600 CASH and Prizes!

THANKS FOR FRIDAYS

St. Ignace | Fridays in November

All Customers Receive One FREE Entry to Win Up to \$2,000 CASH!

SHOW ME THE GREEN

Sault Ste. Marie | Fridays in November

All Customers Receive One FREE Entry to Win Up to \$2,000 CASH!

TWO TIMES TUESDAYS

Christmas | Tuesdays in November

Two Times Points!

KEWADIN CARES-A-THON SLOT TOURNAMENT

October 9 - December 7

Christmas | Mondays

Manistique | Wednesdays

Hessel | Tuesdays

Sault | Thursdays

Daily Prize Pool of 45,000 Bonus Points with Random Credit Draws

123123...GO! ULTIMATE COUNTDOWN TO NEW YEARS

All Sites | December 31

Party Favors, Champagne Toasts, Cake, Hors D'oeuvres, Live Music

DreamCatchers and Horseshoe Bay Restaurants | T-bone Steak Feature

10 oz T-bone Steak, Brandy Brown Butter with Walnuts & Cranberries, Root Vegetable Hash, Roasted Tomatoes with Blue Cheese

Thanksgiving Specials

Join us for Thanksgiving Dinner on November 23. Find details at kewadin.com/dining

Point requirements for all promotions. See Northern Rewards Club to register and for more details.



KEWADIN
EVENTS



KEWADIN
DINING

1-800-KEWADIN | KEWADIN.COM

MANISTIQUE · ST. IGNACE · SAULT STE. MARIE · HESSEL · CHRISTMAS

New playground equipment for Sugar Island

BY SCOTT BRAND

The Sugar Island Township Park has seen a major upgrade this fall as \$40,000 in new playground equipment has been delivered and subsequently assembled on the site.

The Sugar Island Youth Group spent two years raising money for

this project utilizing silent auctions, raffles and even the occasional bottle and can collection drives for the upgrade. The Sugar Island Music Festival contributed \$10,000 toward the effort and an anonymous donor provided another \$10,000 paving the path for the project.



Photo courtesy of the Sugar Island Youth Group

A host of volunteers worked together to bring upgraded playground equipment to the Sugar Island Township Park early this fall and the facility should be ready for visitors next spring.

BMCC receives funding

BAY MILLS — The Early Childhood Education Program at Bay Mills Community College has been awarded \$642,675 for the first year of a five-year grant to support ECE student's degree completion. The funds were awarded by the Administration for Children and Families, the Office of Head Start, with the purpose of establishing or enhancing partnerships with Head Start programs that effectively increase the number of qualified education staff working in American Indian Alaska Native Head Start and Early Head Start programs.

ECE is for students who are interested in working with young children, birth to eight years of age, and their families. Students acquire an understanding of developmental patterns in such areas as appropriate to learning, social and emotional development, language and literacy, cognition, perceptual, motor, and physical development. A secondary focus is imparting an understanding of Native American culture as it applies to children in early childhood programs.

BMCC will work in partnership with five additional tribal Head Start Programs to provide this educational opportunity to their staff, calling the program HOPEE- Honoring Our People Through Equity and Education.

The five partnering tribal Head Starts include:

- Sault Tribe of Chippewa Indians Early Childhood Program
- Hannahville Tribal Head Start
- Mississippi Choctaw Head Start Program
- Seneca Nation Early Childhood Learning Center
- Aleutian Pribilof Island Head Start Program

Those taking part in the program will receive advising support, onsite tutoring, and free tuition for Native and non-Native

students.

In addition, tribal sites in the program will be provided with laptops to assist students in completing their work, and textbooks to support the completion of degree programs.

Additional incentives for students include the first 50 new students that apply to BMCC and remain enrolled past the drop date will be provided with a \$500 scholarship each semester, for up to three semesters a year. The first 35 students who continue from the associate's degree program to the bachelor's degree program receive \$500 for each semester they enroll and continue their education.

"Continuing education can be daunting when working full time and balancing life in general. The success efforts embedded in HOPEE promote a whole student approach starting with relationships," said ECE Department Chair Heather Stelzer. "It's much more comfortable to accomplish goals with the genuine support of your employer, peers, and higher institution."

BMCC currently has 170 students enrolled in the ECE program and is the only tribal college to provide the bachelor's degree program entirely online.

Bay Mills Community College received approval to offer its first bachelor's degree completely online beginning Fall 2018. The Bachelor of Arts Degree in Early Childhood Education is intended to assist in the preparation of teachers and administrators of Native American Head Start/Early Head Start facilities nationwide.

BMCC also offers an Associate of Arts and a Certificate of Completion in Early Childhood Education completely online and has been providing students with online education opportunities for more than 20 years.

For additional information, contact Heather Stelzer at (906) 248-8488 or hstelzer@bmcc.edu.

"We wanted to improve on our existing playground," said Amber Horner of the joint effort. She identified the Sugar Island Youth Group membership — Amanda Gill, Stephanie Roy, Mindy Fox, Heather Lapointe and Shana Works — as "just a group of moms that love doing fun things for not only our kids, but the community's children."

The bulk of the work was completed in mid-October con-

sisting of three slides, monkey bars, and a maze when more than a dozen volunteers converged for construction day. The grand opening, however, was delayed awaiting the arrival of the wood chips and mulch.

"We have an amazing, amazing community," said Horner noting the Sugar Island Fire Department provided the water needed for the cement, while the Sugar Island Lion's Club fed the

volunteer work crew.

"Now that the playground project is almost done, we are moving on to our annual Christmas party," added Horner. "If anyone wants to keep up on our happenings, we are on facebook, 'Sugar Island Youth Group'."

The ceremonial ribbon-cutting to officially open the new playground equipment will likely be held in the Spring of 2024.



IRA OR IRS

I'd like to talk to you about two investment opportunities. One is called an IRA the other is called the IRS. There's a good chance you're already investing in the IRS program. What I recommend is taking some of the money you've been giving... you know who...and use it to open an IRA. Call us today.

First National Bank
OF ST. IGNACE

Community Minded...Just Like You

Celebrating **135** years of service to the area.

906-643-6800 • 132 N. State St. • P.O. Box 187 • St. Ignace, MI 49781

www.fnbsi.com

Stop in and find out more at one of our 7 local banking offices.

St. Ignace • North Bay • Moran Township • Cedarville

Mackinac Island • Naubinway • Newberry

Member
FDIC



Anishinaabemowin 2023

Families are like branches on a tree. We grow in different directions yet our roots remain as one.

N'sayenh gii giwise.

My older brother went hunting.

Mii dash n'wii miijinaanan:

And so we will be eating

waawaashkesh wiyaas

deer meat

mizisenh wiyaas miinwaa

turkey meat and

waaboos wiyaas

rabbit meat



N'misenh gii giigoonh-kenh. My older sister went fishing.

Mii dash n'wii mwaanaanig:

And so we will be eating

gawaak miinwaa

walleye and

dikamegook

whitefish



N'shiimenh gii giwise.

My younger sibling went hunting.

Mii dash n'wii miijinaanan

And so we will be eating

zhiishiib wiyaas.

duck meat



Kina ndoo ngodoode gii baa-masemi mitigwaaking.

All of my family, we went walking around in the woods.

Mii dash n'wii miijinaanan:

And so we will be eating

bgoji-zhagaangwishik

wild onions

zhashkwedoonyan miinwaa

mushrooms and

mishkiigminan

cranberries



N'gii gitige gitigaan.

I planted a garden.

Mii dash n'wii mwaanaanig:

And so we will be eating

piniik

potatoes

mindaamin

corn

miskodiisminak miinwaa

beans and

kosmaan

squash



Aabideg-gwa n'gii zhaami miijim-daawegamigong.

We had to go to the grocery store.

Mii dash n'wii miijinaan bgoji-minoomin.

And so we will be eating wild rice!

Gaawiin zhigi-znoo gaataayiing maampii, wi

bgoji-minoomin.

Wild rice doesn't grow around here.



Baashkaakogin Giizis Freezing Ground Moon

by Susan Askwith



N'ngodoodenaan kidwinan

Our family words are very particular and complex. This shows that relationships were VERY important to our ancestors as they kept track of how we are all related. **Each family member contributed** in various ways to the whole group, and was taken care of that way, too. Today we have a tendency to simplify those words, and in a busy world, our distant relationships may be held more loosely. Does your family have reunions? What does each person bring to the table — literally and figuratively?



N'gashi wii zhitoon bkwezhigan.

My mother will make bread.

Noos wii biidoon ninaatik ziiwaagmide.

My father will bring maple syrup.

N'zhishenh wii biidoon zaas- agokwaazajig binagaziganag

My uncle will bring fried hominy.

N'zigos wii biinaan mishiimin biitoojiishkweganigan.

My aunt will bring apple pie.

N'da niitaawisak wii biidoo- naan e-zaakazigaadegan kosmaan miinkanensan miin- waa miinan.

My cousins will bring roasted pumpkin seeds and blueberries.

Pronunciation?? You'll find the Anishinaabemowin words in this lesson pronounced at this FaceBook link:

www.facebook.com/SaultTribeLanguageAndCulture.

Making our Sounds Most letters sound like in English.

Here are the exceptions.

aa sounds like the a in *awesome*

a sounds like the a in *about*

ii sounds like the e in *be*

i sounds like the i in *dip*

oo sounds like the o in *go*

o sounds like the oo's in *book*

e sounds like the e in *Ed*

g sounds only like it does in *go*

We underlined the syllables that get the emphasis.

Pronounce all the letters. Big deal: if n has an H or S after it, the n has NO SOUND of its own. It's a sign to say the vowels just before it in a nasal way - as if you had a stuffed up nose from a cold.

At yeast we have each other!

6 was afraid of 7 because 7, 8, 9 but why did 7 eat 9? Because you're supposed to eat 3 squared meals a day.

If fruit comes from a fruit tree, what does turkey come from? A poul-tree.

My mother always said "Give your food a rinse before you eat it." Lovely woman. Terrible sandwiches.

What did the grape say when it got stepped on? Nothing, it just let out a little wine.

Bay Cliff Health Camp helping kids since 1934

Nicole Cornwell of Sault Tribe Health Center and Carmeuse Lime and Stone and friends recently donated clothes, arts and crafts, hand towels, pillow case protectors, mattress covers, butterfly nets, chalk and books to Bay Cliff Health Camp, a children's therapy and wellness center in Big Bay, Mich. Bay Cliff's priority program is a seven-week residential

children's therapy program where they serve as many as 160 children every summer. Bay Cliff also has an adult recreation camp, as well as many other programs throughout the year.

Executive Director Clare Lutgen said in a thank you letter, to Cornwell, "We are grateful for any and all donations to our programs, and your generosity enables us to

direct more of our funds to therapy and activities for the children and adults we serve."

Bay Cliff was founded in 1934 by Dr. Goldie Corneliuson, a field physician for The Children's Fund of Michigan, forerunner to the Public Health Department, and Elba Morse, a nurse supervisor of the Northern Michigan Children's Clinic in Marquette.

Bay Cliff Health Camp began as an abandoned dairy farm 27 miles northwest of Marquette, Mich., in the village of Big Bay. In their work, Corneliuson and Morse saw many nutritionally deprived children across the Upper Peninsula during the Great Depression. They dreamed of a centralized place where they could help them, and worked to establish Bay Cliff. In 1934, the first program began with 107 underweight children. According to a history of the camp

by Dixie Franklin, in a summer filled with good food and camping fun, each camper gained an average of 5 pounds.

According to Bay Cliff literature, the camp serves children from all of Michigan, Wisconsin and beyond. A typical summer therapy camp program provides seven continuous weeks of individualized therapy and camp activities. To donate, contact the camp at P.O. Box 310, Big Bay, MI 49808; baycliff@baycliff.org; (906) 345-9314.

SAULT TRIBE TRADITIONAL MEDICINE PROGRAM

2023 December Healer's Clinic

Hours

Gerard Sagassige

December 4, 5, 11, 12, 18, 19
Sault Ste. Marie Health Center
(906)632-0236

Wednesday, December 6th
St. Ignace Health Center
(906)643-8689

Wednesday, December 13th
Hessel Community Center
(906)484-2727

Wednesday, December 20th
Manistique Health Center
(906)341-8469

George Goggeye

December 1, 6, 7, 8, 13, 14, 15
Sault Ste. Marie Health Center
(906)632-0236 Lori Gambardella

ANY QUESTIONS. OR TO BOOK AN APPOINTMENT PLEASE CALL TRADITIONAL MEDICINE PROGRAM AT 906-632-0236 OR 906-632-5268



Bay Cliff Health Camp is located 27 miles northwest of Marquette.



MANIDOO GIIZOONHS - LITTLE SPIRIT MOON - DECEMBER 2023

NIIZHWAASO GIIZHIGAT	NTAM GIIZHIGAT	NIIZHO GIIZHIGAT	NSWO GIIZHIGAT	NIIWO GIIZHIGAT	NAANO GIIZHIGAT	NGODWAASWO GIIZHIGAT
					1 n'di nawe- maaganidoog (my relatives)	2 Gwawaan mitig. (S/he is cutting down a tree.)
3 segaajiganan (decorations)	4 Niibaanamaa mitig (Christmas tree)	5 aagamag (snowshoes)	6 zigaabiiginige waawaashkesh (reindeer [leashed deer])	7 ishkode daabaanenhs (little train)	8 daminawaagan (doll)	9 Niibaanamaa waaskonenjiganan (Christmas lights)
10 ziisbaakadoonhs skowin (candy cane)	11 jigjigaaneshiin (chickadee)	12 wiigwebjibjigan mazinigan (wrapping paper)	13 aankoosenh (sled [something linked to another thing])	14 dewe'gan gwiizenhs (little drummer boy)	15 nagamwinan (songs)	16 shkabijigaanhs (little packages)
17 Niibaanamaa mdaasan (christmas stockings)	18 zhooshkwaade daaban (sleigh)	19 aazheniinhsag (little angels)	20 Ntam Biboon (First day of winter)	21 zhengwenhsan (jingle bells)	22 Mino Niibaanamaan. (Have a Merry Christmas.)	23 Gichi-miigwet (Santa Claus [one who gives greatly])
24 bkwaakat (ball)	25 Niibaanamaam. (It is Christmas.)	26 Mooshkaneshin Dibiki Giizis (It is a full moon.)	27 maagweng (gift [something you are given])	28 Niibaanamaa goojigan (mistletoe)	29 N'biingech! (I am cold!)	30 Weweni baamasen. (Walk in a good way.)
31						

USDA Food Program increases food options

Other programs and subsidies available through USDA include the Affordable Connectivity Program

BY BRENDA AUSTIN

Sault Tribe's USDA Food Distribution Program on Indian Reservations (FDPIR) Program Director Sheryl McKerchie said the food distribution program is approved to serve the 15 counties from the 1836 Ceded Territory, including: Alger, Cheboygan, Chippewa, Delta, Emmet, Luce, Mackinac, Marquette, Schoolcraft, Antrim, Benzie, Charlevoix, Grand Traverse, Leelanau, and Manistee.

The program also offers tailgating deliveries with their big box truck to Marquette, Manistique, Newberry, Rapid River, Hessel, Munising, Cheboygan and St. Ignace.

McKerchie said the food distribution program services families residing within the 15 counties that have at least one person who is a member of a federally recognized tribe and are income eligible, or who lives on a reservation or on trust land and is income eligible.

There are currently 392 families certified to receive food, equating to 694 people. Of those, about 200 families come into the Sault Ste. Marie store to shop for food monthly. The other families are tailgate pick-ups or home deliveries.

McKerchie said that in the past year the program has had an



Photos by Scott Brand

The staff at the Sault Tribe Food Distribution Program includes, from left to right, Darin Trumbley, Jodi Thompson, Sheryl McKerchie, Eric MacDonald, Rich Rapson, Michelle Payment and Marty Nolan. The final team member, Les Hill was off-site at the time this photo was taken.

increase in the amount of food families can receive. "We've added a variety of different foods such as bison stew meat and strawberries. Our income guidelines are evaluated every Oct. 1, and increase at that time," she said.

The program also recently received a \$200,000 Nutrition Education grant that has been used to purchase hydroponic gardens for their clients and they are working on cooking videos that show recipes using USDA foods. The program's administrative

grant has also increased from \$595,259 in 2022 to \$660,645 in 2024.

According to McKerchie, the food distribution program has served 15 counties since its inception in the early 1980s. "Tony Nertoli used the 1836 ceded territory maps and the USDA approved it. We currently do tailgate deliveries to seven of these counties: Marquette, Schoolcraft, Luce, Delta, Mackinac, Alger and Cheboygan. Our store concept is in Chippewa County and we have clients from Emmet and Grand Traverse counties. We currently do not have clients in Charlevoix, Antrim, Leelanau, Benzie or Manistee counties," she said.

Families that are receiving assistance through the tribe's food program are also eligible to receive help from the Affordable Connectivity Program (ACP), which provides eligible low-income households a subsidy of up to \$30 per month on Internet service plans offered by participating Internet service providers and

up to \$75 per month for eligible households on tribal lands.

Eligible households can also receive a one-time discount of up to \$100 to purchase a laptop, desktop computer, or tablet from

participating providers if the household contributes more than \$10 and less than \$50 toward the purchase price. You can find more information about the Affordable Connectivity Program at: [GetInternet.Gov](https://www.getinternet.gov).

Following is a link to the USDA food distribution sites throughout the United States. This allows any members of tribes to receive food if they are income-eligible. Visit: <https://www.fns.usda.gov/fdpir/food-distribution-program-indian-reservations>.

To view program guidelines, qualifications, or fill out an application for the tribe's USDA food program, visit saulttribe.com and click on the "Membership Assistance" link in the sidebar, then click on "USDA Food Distribution Program" on the bottom right.

You can also stop by the USDA food program office, located at 3601 S. Mackinac Trail in Sault Ste. Marie. For questions, call (906) 635-6076.



Stacked pallets inside the distribution warehouse stand ready to fulfill nutritional needs.



Sheryl McKerchie also has a number of hydroponic grow kits available for those who wish to raise their own vegetables at home.



SOO CO-OP CREDIT UNION

Mobile Wallet for SCCU VISA® Credit Cards and Debit Cards.

TAP. PAY. BE ON YOUR WAY!

Apple Pay | SAMSUNG Pay | G Pay

Sault Ste. Marie • Brimley • Bay Mills Kinross • Cedarville

www.soocoop.com

NCUA Insured



BAY MILLS Community College

RAISE YOUR HAND IF YOU ARE READY TO START YOUR EDUCATION JOURNEY

BMCC WAIVES TUITION FOR U.S. TRIBAL MEMBERS!

ON-CAMPUS OR ONLINE TAKE CLASSES ANYWHERE

CALL US! 1-866-967-BMCC(2622)

VISIT US! www.BMCC.edu

Bay Mills Community College 12214 W Lakeshore Dr. Brimley, MI 49715 • www.BMCC.edu • 1-866-967-BMCC (2622)

Bay Mills Community College is accredited by The Higher Learning Commission • hlcommission.org and participates in the National Council for State Authorization Reciprocity Agreements (NC-SARA) • nc-sara.org

Hearing Board dismisses removal petition

BY JENNIFER DALE-BURTON

A Hearing Board selected by the Sault Tribe Board of Directors convened in accordance with Sault Ste. Marie Tribe of Chippewa Indians Tribal Code Chapter 16 dismissed petitioner Charles Kinnart's petition to remove Unit IV Director Darcy Morrow from office for violation of Open Meetings Ordinance §96.110.1.

The Hearing Board dismissed the petition at an Oct. 31 hearing on a motion by Morrow to dismiss the removal petition. Morrow brought three challenges to the petition — failure to provide the petitioner's telephone number on the petition forms under §6.104(2); failure to make financial disclosures under §6.104(4); and failure to allege sufficient grounds for removal under §6.110.

Hearing Officer Matthew Fletcher declined to dismiss the first two challenges in favor of the membership's Constitutional right to invoke the recall process. The Hearing Board dismissed the

petition for "failure to allege violations of tribal law that would justify the removal of Respondent [Darcy Morrow] from the Board of Directors."

Kinnart's petition alleged Morrow violated the Open Meetings Act by videotaping another board member at a July 11, 2023 meeting, in violation of §96.110 of the Open Meetings Ordinance, which states, "Audio or video recording or photography is permitted at Board of Directors meetings only with the prior

permission of the Chairperson or the Board."

However, permission was given to stream the meeting live online, where it may be viewed in its entirety. The Hearing Board concluded that "(1) the Respondent's video recording did not constitute a crime; (2) was permitted by the Tribal Chair and therefore could not be a breach of public trust, abuse of authority, or official misconduct; (3) was permitted by the Tribal Chair and therefore did

not evidence a lack of integrity; and (4) did not contravene an important tribal public policy."

The Hearing Board concluded, "pursuant to the principle of nibwaakaawin (wisdom – use of good sense) that even if a technical violation of the permission requirement occurred and the Petitioner could prove it, in these circumstances where the meeting was streamed online the Respondent's conduct does not rise to the level of conduct sufficient to justify removal."

2023 Elder Scholarship Award winners announced

The elders selected four winners for each \$500 scholarship. They were Sault Tribe students who were qualified freshmen

enrolled in a public college, university or trade school. They must have graduated from an accredited high school with a

cumulative grade point average of at least 2.50, or successfully completed and passed all five General Education Development (GED) equivalency tests with a minimum score of 40 and an average score

of 45 and must possess a GED certificate. They must be accepted or enrolled in any two- or four-year public college, university or trade school in any field of study as a full-time student.

Natasha Myhal earns her Ph.D.



Sault Tribe member Natasha Myhal graduated with a Ph.D. in Critical Ethnic Studies (with a concentration in Native American and Indigenous Studies) from the University of Colorado Boulder in August 2023. She is now an assistant professor of Indigenous Environmental Studies at the Ohio State University in the School of Environment and Natural Resources.

Three future leaders recognized



From Malcolm High School

Three of our future tribal leaders from Malcolm High School, Brayden Sabatine, Anna Collins, and Rebecca Fuller (L-R), with Tribal Chairman Austin Lowes, attended the Indigenous People's Day presentation at Lake Superior State University on Oct. 10.



Caden Ojibway



Reagan Walsh



Taylor Weber



Tyler Swick

USDA tribal scholarship program open

The USDA 1994 Tribal Scholars Program seeks to increase the number of American Indian and Alaska Native students studying agriculture, food, natural resource sciences and related disciplines. The application period closes Dec. 1, 2023.

The USDA 1994 Tribal Scholars Program combines classroom study with paid work experience that leads to employment at USDA. Through this program, USDA seeks to boost the number of tribal college and university students studying and graduating in food, agriculture, natural resources, and other related fields of study, and help build the pipeline of future agricultural scientists and professionals. The program also strengthens USDA partnerships with 1994 land-grant institutions.

The program provides full tuition, employment, housing or a living stipend, employee benefits, fees, and books each year for up to four years to selected students pursuing a bachelor's degree in agriculture, food science, natural resource science, or a related academic discipline beginning at one of 35 federally recognized tribal colleges and universities and continuing at other higher education institutions.

The scholarship may be renewed each year, contingent upon satisfactory academic per-

formance and normal progress toward the bachelor's degree.

Eligibility

You plan to attend and are enrolled, currently attend, or recently graduated from a Tribal College or University. For the purposes of this application, a recent graduate is someone who does not yet have a bachelor's degree and who has graduated with an associate's degree within the last two years.

Permanent federal position potential

Scholars accepted into the program will be eligible for non-competitive conversion to a permanent appointment with USDA upon successful completion of their degree requirements by the end of the agreement period. If selected, scholars must commit to at least one year of service to USDA for each year of financial assistance provided. The details of this requirement will be outlined in the service agreement for the scholar, their university, and the USDA sponsoring agency.

How to prepare an application

Preparation: You may apply to more than one position. An application package includes an essay, your resume, two letters of recommendation, and your transcripts.

Resume: Submit your current resume.

Essay: Submit an essay answering these questions below with a word count of 500-800 words. Note the position for which you are applying.

What motivates you to consider a career in public service working for the U.S. Department of Agriculture? Include information about your educational and career goals and how this scholarship may assist you.

How did you become interested in studying food, agriculture, and natural resource sciences or another related discipline in college?

Two Letters of Recommendation: You will need to request two people to submit letters of recommendation on your behalf. One must be from your academic counselor, advisor, or faculty member.



Each letter must address your personal strengths, leadership qualities and potential, academic and extracurricular achievements, and future academic and career aspirations.

Transcript: Submit transcripts indicating your most recent academic work.

Questions? Please text or phone (202) 845-5646, (202) 870-8035 or email 1994@usda.gov.

A list of open positions is available at <https://www.usda.gov/tribalrelations/1994-tribal-scholars-program>.

Home • Auto • Life • Boat
 Motorcycle • RV • Motor Homes
 Business • Snowmobile
NuStar
 INSURANCE AGENCY, INC.
 "We Cover Your Assets"
INSURANCE
 906-253-1904
 Bouschor & Sherman
 Agents
 2081 Ashmun St.
 Sault Ste. Marie, MI
 Email: bbouschor@nustarinsurance.net
www.NuStarInsurance.net

LPL Financial
 "Serving Main Street with Independent Advice."

NICHOLAS J. KIBBLE, AAMS®, CPFA®
 Financial Advisor
 812 Ashmun St.
 Sault Ste. Marie MI 49783
 "The highest compliment we can receive is an introduction to friends and family."
 Phone: 906-635-1111
 Toll Free: 800-421-5701
 Fax: 517-292-0259
nicholas.kibble@lpl.com
www.dscott-lplfinancial.com

 Securities and Advisory Services offered through LPL Financial, a Registered Investment Advisor, FINRA/SIPC

EUP residents star in local production

Camera crews descends upon Sault Tribe's food distribution kitchen

BY SCOTT BRAND

Lights. Camera. Action.
The Sault Tribe Distribution Program, located at 3601 Mackinac Trail in Sault Ste. Marie, Mich., provided the set for an upcoming production designed to inspire tribal members to cook traditional foods at home.

"The series we came up with is called "Cooking for the Modern Family," said Production Manager and Director Madisyn Bradow of the Tipping Point Corporation during the late October shoot. "Each episode is going to further promote simple at-home recipes with goods provided by the Sault Tribe Distribution Center."

Bradow flew into Detroit from Denver, Colo. with four heavy bags of equipment where she picked up Make-up Artist/ Hair Stylist Bernardeta Gjekaj, before driving up I-75 where they were joined by local Tipping Point Production crew members David Brey and Chelsea Derusha.

"The first shoot took us all day on Tuesday (Oct. 24)," said Bradow indicating the pace for additional episodes accelerated after that allowing the team to wrap up production on Oct. 26. "We have five different cameras and we do whatever we need to

get a good angle."

The revolving cast included Sault Tribe Dieticians Kylie Coffey, Mary Bunker and Jennifer Schmidgall, from the Special Diabetes Program who described the ingredients for each dish and outlined the health benefits associated with the meals. Three different chefs performed before the cameras, Mary Armstrong and Terri Wolski on behalf of The United Way's Retired Senior Volunteer Program and Ella McKerchie.

The cast and crew created six different recipes — Bison and wild rice meatloaf, sweet potato pancakes, chicken and wild rice soup, overnight berries and oats, three bean chicken chili with squash and stuffed squash with chili — during the three-day shoot.

"We touch on how each recipe is sacred to the tribe's culture," said Bradow of the ingredients used. "We wanted to keep the episodes authentic to the Sault Tribe and share the knowledge of the traditional ways."

Sault Tribe Food Distribution Program Director Sheryl McKerchie anticipated the videos will be out before Christmas and there will be numerous ways for tribal members to view them.

A USB drive will be provided to any client upon request and they will also be posted on the Sault Tribe's Website. The videos will also be looped on television at both the distribution center store and on the TVs running at the Sault Tribe Health Center. YouTube and Facebook will also carry them for folks with Internet service.

That coincides with Bradow's timeline as she calculated the final editing should be completed in December.

"The production team was really fortunate to try all of this food," said Bradow of the benefits associated with this particular shoot. "It was really good."

"I think we each found a recipe we can bring back home," added Derusha.

Tipping Point Corporation is an industry leader in training, media, and event services. Founded in 2011 by Rick Schmidt, a Sault Tribe member, following a 20 year career in the United States Navy, the company has demonstrated consistent growth, currently staffing 90 full time employees and over 20 independent contractors.



Mary Armstrong shares one of her recipes with Dietician Mary Bunker.



Terri Wolski prepares a squash dish before the camera with assistance from Dietician Jennifer Schmidgall.

Gabe Litzner captures second U.P. cross country title

BY SCOTT BRAND

Sault Tribe member Gabe Litzner was crowned the U.P. Finals Division I Cross Country Champion besting a field of more than 60 other competitors during the Oct. 21 race.

This marks the second time that Litzner has claimed the title and what makes the feat even more remarkable is that he is only a sophomore at Sault High School.

"I'm definitely going to keep going," he said of his future plans. "I want to win all four."

In the 2022 final, Litzner posted a time of 16 minutes and 41 seconds. He shaved a full 45 seconds off that pace in this year's event coming in at 15 minutes and 56 seconds.

Both races were held on the 3.1 mile cross country course in Gladstone which features a lot of elevation changes along the hilly route.

"My dad asked me if I wanted to go for a run with him up on Mission Hill," said Litzner expressing the belief he was in second or third grade when he first started running for distance.

In sixth grade, while attending JKL Bahweting School, he began running competitively.

"I just kind of did it for fun," he said, but soon found he was highly-competitive in those races. With that success, he began taking his training seriously and his regimen has

continued to pay big dividends.

"I run about 40 miles a week and do some harder workouts," he explained. "My normal run is six to seven miles, nice and easy."

Other training includes hill repeats, cross-country skiing, indoor track meets and come spring, Litzner will return to the Sault High Blue Devils Track Team.

"I usually eat whatever I want," he said indicating there is no special diet. "Then the week before a big race I will try to eat healthier."

Gabe, 15, is the son of Aaron and Sarah Litzner. He said he hopes to continue running at the collegiate level in the future, but indicated it was too early

to predict where that might be because schools cannot begin

recruiting until his Junior year in high school.



Gabe Litzner

2023 Children's Christmas Parties

For more information visit www.saulttribe.com or www.facebook.com/saulttribe.

Unit 1: Sault - Big Bear, Dec. 16, 10-2 p.m., drive through event, pre-registration is required.

Unit 2: Hessel - Tribal Center, Dec. 16, 3-5 p.m., ages 0-17, pre-registration is required.

Unit 2: Newberry - Tribal Center, Dec. 8, 5:30-7 p.m., ages 0-17, pre-registration is required.

Unit 3: St. Ignace - Kewadin Shores Event

Center, Dec. 17, 3-5 p.m., ages 0-12

Unit 4: Escanaba - YMCA, Dec. 15, 4-7 p.m., ages 0-17

Unit 4: Manistique - Tribal Center, Dec. 16, 11-2 p.m., ages 0-17

Unit 5: Munising - Tribal Center, Dec. 10, 12-2 p.m., ages 0-13, pre-registration is required.

Unit 5: Marquette - Northern Michigan University, Dec. 17, pre-registration is required.

Free indoor air quality assessments

BY ROBIN BOUSCHOR

The Sault Tribe Environmental Department is currently offering free indoor air quality (IAQ) assessments to tribal members residing within the 7-county service area. The primary objective of these assessments is to identify potential air quality issues in residential and commercial properties. The assessment process involves a comprehensive walk through of the premises and the

utilization of various IAQ diagnostic equipment for accurate measurements. Following the assessment, tribal members will receive a complimentary healthy homes kit, which includes environmentally friendly cleaning supplies, a relative humidity meter and/or a carbon monoxide alarm, a self-test radon kit, as well as educational materials to raise awareness on indoor air quality. To ensure convenience

for individuals with different work schedules, assessments can be scheduled on both weekdays and weekends.

For appointment scheduling or other inquiries, please contact us at (906) 632-5575 or via email at rbouschor1@saulttribe.net. If you are a tribal member residing outside the service area and have specific questions, we encourage you to reach out as well and we will be happy to assist you.

Roy Electric Co. Inc.

INDUSTRIAL - COMMERCIAL - RESIDENTIAL

Don't get caught without power again!
Generators: Sales, Installation, Maintenance
by a Trained Licensed Electrician
Visit our website for a list of services!

(906) 632-8878

www.royelectriccompany.com

Walking on...

ROBERTA "BIRTY" L. THOMAS

Roberta "Birty" L. Thomas, of Lake City, Fla., passed away suddenly on Monday, Aug. 7, 2023.



Birty was born in Waukesha, Wisc., on April 18, 1960, daughter to Robert and Marjorie (Miller) Thomas. She attended Oconomowoc Sr. High School. She married Vincent Pleyte on Aug. 31, 1977, and they had a beautiful daughter, Sandra, on March 12, 1978.

Birty later moved to Florida and enjoyed the year-round warm weather. While there, she worked for many years as a housekeeper. She was very talented, making so many people happy when they received her homemade birthday and special occasion cards. She loved gardening, baking, guitar playing and singing, painting, calligraphy, and playing cribbage and card games with her family. And she loved Jesus. Birty was a member of the Sault Ste Marie Tribe of Chippewa Indians.

She will be forever missed by her daughter Sandra (Scott) Lunde of Palm Desert, Calif.; grandchildren Amelia, Travis, Ethan and Lucas; great grandson Vincent; loving mother Marjorie Thomas of Waukesha; siblings Linda (John Kerr) Widmar of Big Flats, Wisc., Diana Thomas (Thomas Pike) of Waukesha, John Thomas of Leesburg, Fla., Jewell (Keith) Braun of Waukesha; partner of 28 years, Randy Cliff of Lake City; and many cousins, nieces and friends.

She was preceded in death by her father, Robert Thomas, grandparents, other relatives, and her dog, Tandon.

Arrangements were entrusted to ICS Cremation and Funeral Home of Lake City.

A memorial/celebration of Roberta's life was held on Sept. 8, 2023, at Wagner Park in Pewaukee, Wisc.

BEVERLY JEAN DERUSHA

Beverly Jean Derusha, 55, of Naubinway, Mich., went home to be with

Our Lord and Savior Sunday morning, Oct. 29, 2023, at her residence in the presence of her loving family and the care of North Woods Home Care and Hospice.



Born April 22, 1968, in Saginaw, Mich., daughter of Joseph Martin and Lillian Kerridge, Beverly was a 1986 graduate of Engadine High School.

In addition to being a devoted homemaker raising her family, Beverly was a member of St. Stephens Catholic Church and enjoyed the outdoors, ATV riding, motorcycling, boating, gardening and baking. Beverly was a member of the Sault Ste. Marie Tribe of Chippewa Indians.

Beverly is preceded in death by her father, Walter Hoerz.

Survivors include her loving husband, Gary, whom she married Aug. 15, 2020, in Naubinway; mother, Lillian Hoerz of Manistique, Mich.; children, David (Pam) Archambeau of Newberry, Mich., Allen (Karryn) Archambeau of Newberry, Anne (Jacob) Archambeau of Kincheloe, Mich., Chelby Archambeau of Sault Ste. Marie, Mich., and Tommissa (Owen) Ennes of Sault Ste. Marie; five grandchildren; siblings, Kathy (George) Egert of Newberry, Sherri O'Crotty of Sault Ste. Marie, Linda (Brian) Elenbaas of Cadillac, Mich., Betty (David) Browning of St. Ignace, Mich., Joe (Karen) Hoerz of Albion, Minn.

Thank you to Sandy Martin's daughters who helped take care of Bev.

Per request, cremation services were accorded. A gathering of family and friends celebrating the life of Beverly will be held at a later date.

Memorials may be directed to North Woods Home Care and Hospice, PO Box 307, Manistique, MI 49854 in her loving family.

Condolences may be expressed at www.beaulieufuneralhome.com. Beaulieu Funeral Home in Newberry is assisting the family.

GLEN CLIFFORD CAPTAIN

Glen Clifford Captain, 89, of Sault Ste. Marie, Mich., passed away peacefully on Thursday, Oct. 5, 2023, in Sault Ste. Marie.



Glen was born on May 30, 1934, in Munoscong, Mich., to the late Thomas and Mary (Gardner) Captain, and was raised on Neebish Island, Mich.

Glen retired from working at LSSU in 1996. He enjoyed fishing, hockey, baseball and playing pool. He also enjoyed the many visits from his grandchildren.

Glen was a member of the Sault Tribe of Chippewa Indians.

Glen is survived by his wife, Vida M. (Cadreau) Captain; son, Robert Captain; stepdaughters, Ada Dalglish and Kathy-Ann; 12 grandchildren and many great-grandchildren.

Glen was preceded in death by his parents, Thomas and Mary (Gardner) Captain, all his siblings, and stepson, James (Jim) Ailing.

Visitation was held on Saturday, Oct. 7, 2023.

Glen's final resting place is at Oakland Chapel Gardens.

KATHLEEN "KATHY" JONES

Kathleen "Kathy" Jones, 91, walked on to her heavenly home on Oct. 22, 2023. Kathy was born July 18, 1932, in Thompson, Mich. to parents Hiram and Elaine (Boyd) Squires.

With her early years in the north, the Upper Peninsula was



always "home" to her. Later, her family moved south where she graduated from Warren High. On Sept. 25, 1959, she was united in marriage to Billy Homer Jones in Warren, Mich. Their years together brought them back and forth between the Harrison area and Kentucky.

Kathy was a beautician, EMT, and a busy mother of six before attending Mid Michigan Community College for her LPN license. Most of her medical career was spent working in nursing homes. At one time, she was also a civilian marksman. Kathy enjoyed cooking, gardening, and canning for her family. She was proud of her heritage as a member of the Sault Ste. Marie Tribe of Chippewa Indians. And as a member of St. Luke's Lutheran Church, Kathy enjoyed sewing quilts for those in need and being involved in church activities. The Brook of Houghton Lake, Mich., was her home for the last few years. So many there became like family, and she considered the staff her girls. The role as "GG" was her favorite. She loved her grandchildren and great-grandbabies and liked to share many stories about them.

Surviving Kathy are her children, Amy (Jim) Yost of Prudenville, Mich.; Angie (John Teague) Grundy of Webberville, Mich.; Sherry (Bruce) Chandler of Robards, Ky.; Gary (Sassy) Jones of Graham, Ky.; Larry (Kitty) Jones of Clarksville, Tenn., 13 grandchildren, Jimmy, Ben, Jamie, Sarah, BJ, Sara, Billy, Kendra, Samantha, Christen, Danielle, Jeremiah and Mark; and 21 great-grandchildren, Logan, Alex, Claire, Jacob, Isaiah, Isaac, Caleb, Elisha, Hannah, Gracie, Payton, Keenan, Ava, Gunnar, Hunter, Claire, Lily, Ivy, Violet, Wesley and Wynona.

She was preceded in death by her parents; her husband, Billy Jones; son, Danny Jones; great-grandson, Noah Yost; and sister, Pearl Carr.

Funeral services honoring Kathy were held on Oct. 26, 2023, at Clark-Stocking Funeral Chapel of Harrison with Pastor Timothy Sheridan officiating. Burial will be in Pleasant Plains Cemetery, Harrison. Memorial gifts in memory of Kathleen may be considered to St. Luke Ladies Christian Fellowship or Compassus Hospice.

To share an online memory or condolence with Kathy's family, please visit: www.clarkstocking.com. Arrangements and care of Mrs. Jones are entrusted with Clark-Stocking Funeral Chapel and Cremation Service.

JANET FAYE (BECKMAN) KING

Janet Faye (Beckman) King, 82, of Romulus and Naubinway, Mich., passed away Sunday morning, Oct. 29, 2023, at Optalis Health and Rehab in Canton, Mich.

Born Jan. 17, 1941, in Newberry, Mich., daughter of the late Kenneth and Emma (Davenport) Beckman, Janet was a 1959 grad-



uate of Engadine High School and later received her Licensed Practical Nurse certification from Northern Michigan University.

On Jan. 5, 1963, Janet married Wayne "Teto" King and were blessed with a daughter, Tammy, in 1968.

Janet was formerly employed as an LPN at Schoolcraft Memorial Hospital and, in 1968, moved to the Romulus area where her husband gained employment in Dearborn, Mich. Janet was a member of St. Stephens Catholic Church in Naubinway and the Sault Ste. Marie Tribe of Chippewa Indians.

Janet loved coming home to Naubinway, especially in the fall, when her and her sister, Karen Frazier, would dress up for Halloween parties at The Cove or V.F.W. dances. Together, they loved to act up, have fun and were dancing partners for many years.

Janet was a loving wife, mother, aunt to many, sister and friend to everyone who knew her. She will be sadly missed by everyone. Survivors include her loving husband, Teto, of Romulus; daughter, Tammy King and her companion, Gary; sister, Karen Frazier of Naubinway; and several nieces, nephews, cousins and many friends who loved her.

Janet was preceded in death by her parents, Kenny and Emma, father- and mother-in-law, Greg and Agnes King; brother- and sister-in-laws, Harvey (Patsy) King, Timmer (Janis) King, Fern (Chuck) Paulson, Tony King and Don Frazier; nephew, Richard King; and nieces, Charlotte Nikunen and Cheryl Livermore.

A gathering of family and friends took place on Nov. 7, 2023, at St. Stephens Catholic Church in Naubinway. A Mass of Christian Burial followed at the church with Fr. Jacek Wtyklo officiating. Rite of Committal took place at the Naubinway Cemetery.

Condolences may be expressed at www.beaulieufuneralhome.com. Beaulieu Funeral Home in Newberry is assisting the family.

EDITH WRIGHT SYNETT

Edith Wright Synett has walked on to her eternal rest on Oct. 17, 2023, at the age of 92. She was the last surviving child of Sam and Delia Wright.

She was married to Gerald Synett for 63 years until he passed away in 2018. She spent her life in Sault Ste. Marie and was loved by family and friends. Edith was a proud member of the Sault Ste. Marie Tribe of Chippewa Indians and enjoyed going to the casino to play bingo and mingle with people. Her hobbies were bowling and animals.

She was a member of St. Mary's Church. Edith was greeted by her husband Gerald; her parents, Sam and Delia Wright; sisters, Freida Hanson, Rose LaVictor, and Bertha Wright; and her brothers, Raymond Wright, Michael Wright and Victor Matteson. Edith came from a very



large family and leaves behind many nieces, nephews and cousins with fond memories to cherish.

TERRY WILLIAM KING

Longtime Naubinway resident, Terry William King, 69, passed away Thursday evening, Oct. 5, 2023, at OSF Hospital in Escanaba, Mich., surrounded by his family.

Born July 29, 1954, in Manistique, Mich., son of William and Donna (Giddis) King, Terry, who most knew as "Bro," served in the Army after graduating from high school before returning to Naubinway where he worked most of his life as a commercial fisherman and co-owner of William King & Sons Fishery. He enjoyed hunting and recreational fishing, woodworking, mushroom and berry picking, NASCAR and the Detroit Red Wings, country music, and spending time with his family. Some might even remember him for his ability to entertain playing the spoons at the Cove Bar. He was a very giving, kind man who would do anything for anyone.

Survivors include his wife of 29 years, Jacquelyn of Escanaba; his son, Dakota (Carolyn) King of Escanaba, and his daughter, Tara Burke of Gastonia, N.C.; his brother, David (Chris) King of Naubinway, his sister-in-law, Debra King of Kinross; his beloved grandbaby, Finley King; and several nieces and nephews.

Terry was preceded in death by his parents, William and Donna; his brother, Randy King; and his nephew, Dylan King.

Per his request, cremation services were accorded.

ALBERT (BERT) NORMAN MENOMINEE

Albert (Bert) Norman Menominee, 66, of Brimley, Mich., passed away on Oct. 20, 2023, after a decades long battle with kidney disease. He was born on Jan. 11, 1957, to Donald and Rosalie (Berry) Menominee in Newberry, Mich.

Bert grew up in Newberry and graduated from Newberry High School. He began work in conservation-law enforcement for the Sault Tribe of Chippewa Indians in Sault Ste. Marie, Mich. Bert met his wife, Marcia Grondin, through mutual friends and married on Oct. 17, 1981. They began their family, and he continued in law enforcement until his retirement in 2008. They were married for 42 years.

He was a member of the Sault Tribe in Sault Ste. Marie, Mich. He enjoyed camping, hunting, fishing, playing softball, and spending time with his family and friends.

See "Walking on," page 20



November recognized as National Adoption Month

FROM ACFS

Each year, November is recognized as National Adoption Awareness Month.

While all adoption-related issues are important, the particular focus is the adoption of children currently in foster care. The goal of National Adoption month is to raise awareness for children and youth in foster care who are waiting for permanent families.

The Sault Ste. Marie Tribe of Chippewa Indians, through the services of the Sault Tribe Binogii Placement Agency, has provided adoption services since 1985. The priority of placement for the tribe is to keep tribal children with their families whenever possible. Situations may arise where children cannot remain with their families, and in those cases the Sault Tribe works actively to

match tribal children with tribal families to preserve the child's cultural connections.

ACFS also monitors tribal cases across the United States, and can help match a child with a tribal resource foster home, even if they are located outside the seven-county service area. When there is a pool of resource foster homes it is easier to match the child with a tribal home.

If you are interested in becoming a foster parent, regardless of location, you are urged to call.

There are currently tribal children across the country in foster care that are not matched with a family and are in need of a committed family temporarily or a permanent home.

The shortage of placement resources is a problem across the state, country and in other tribes.

Sault Tribe is no exception — it, too, is in need of dedicated foster parents and adoptive parents.

There are no unwanted children, just unfound families. If you are interested in becoming a foster parent or an adoptive parent, contact Anishnaabek Community and Family Services at (906) 632-5250 or 1-800-726-0093 or email: acfs-foster-homes@saulttribe.net.

StrongHearts honors Native American Heritage Month

November is Native American Heritage Month, when all Indigenous peoples are celebrated for their contributions to building the foundation of America. As the original people on this land, we call Turtle Island, we hold respect for all living things. We honor our ancestors by remembering their teachings, our cul-

ture, and traditions that have endured the test of time.

"Despite the efforts to terminate or assimilate us, we hold tightly to our culture and traditions that when practiced provides healing for our relatives," StrongHearts Native Helpline CEO Lori Jump said. "We must continue to hold each other

sacred as nations of sovereign people and with respect given to all living things."

StrongHearts Native Helpline advocate training is steeped in Native American culture and traditions. Our support and advocacy are Native-centered, empowerment-based, and trauma-informed. We uplift our

relatives, who are strong and resilient.

During the month of November, we celebrate our ancestors, our teachers and all of our relations today, tomorrow and always.

StrongHearts Native Helpline serves all individuals who reach out for their services regard-

less of race, ethnicity, gender, gender identity, age, religion, national origin, sexual orientation, disability, or any other factor protected by local, state, or federal law.

For support and advocacy, call or text (844) 762-8483 or chat online at strongheartshelpline.org.

National Brush Day encourages a healthy smile for all

BY JESSICA A. RICKERT, DDS, ANISHINAABE DENTAL OUTREACH

National Brush Day is observed annually on Nov. 1, to reinforce the importance of children's oral health and promote good tooth-brushing habits.

Parents are encouraged to make sure their family brushes their teeth for two minutes, twice a day.

This year's campaign has a variety of materials available for download, including a National

Brush Day logo, posters and social media posts with graphics.

We encourage all folks to sing a favorite toothbrushing song that's at least two minutes long while brushing twice a day. Common songs can be adapted, such as "The Wheels On The Bus Go 'Round and 'Round" can become "The Bristles On The Brush Go 'Round And 'Round!" "So Early In The Morning" can include "this is the way we brush our teeth, brush our teeth, brush our teeth. This is the way we

brush our teeth, so early in the morning!"

Here are tooth brushing videos for kids:

https://www.youtube.com/watch?v=FA8O_Ff0CFk and <https://www.youtube.com/watch?v=ENAMlqxqZRI>

An entertaining National Brush Day Spotify playlist can be found at: <https://spoti.fi/3r5F5Cr>

The American Dental Association recommends a toothbrush that has soft bristles;

the ADA recommends replacing your toothbrush every three to four months. Replace it more often if bristles are in bad shape or if the toothbrush has been contaminated. In general, power toothbrushes clean better than manual toothbrushes, removing more plaque.

Don't forget to clean between your teeth with floss or other aids.

Did you know that many dentists' offices, doctors' offices and many organizations will take

donations of Halloween candy?

We hope you will join us in promoting National Brush Day to your own circle of contacts, whether you send an email to your contacts, post on your social media accounts, or even simply put a National Brush Day logo on your website.

For more information about National Brush Day and to download campaign materials, please visit: <https://dentaltradeliance.org/mpage/national-brush-day>.

Letter submission from Jodi Janda Hunter and snowmobile safety courses offered

BY JODI (COOK) JANDA

My name is Jodi (Cook) Janda and I have been living in the Denver metro area for the last 25 years. I've been working in commercial real estate for over 14 years and I'm involved in several organizations that impact downtown Denver. I wrote the following article to help educate women in the commercial real estate industry about diversity, equity, and inclusion.

I am a Native American female who is a member of the Sault Ste. Marie Tribe of Chippewa Indians. My tribe is located in the Upper Peninsula of Michigan, and we have over 50,000 enrolled tribal members. I grew up in Sault Ste. Marie, which is a small town on the Canadian border. We are situated on the Michigan side across the river from Sault Ste. Marie, Ontario, Canada; they are commonly referred to as the "Twin Soos." Even though I am from Michigan, you will rarely catch me showing where I live on my right hand because I am a "Yooper," and the single hand does not represent us.

I come from a large family that is rich in culture and history. My father had 15 siblings (this is not a typo) and my mother had 11 siblings (not a typo either). This creates a HUGE family with lots of aunts, uncles, and cousins with a HUGE amount of love and support for one another. The females in my life, especially my mom and grandmothers, are and were extraordinarily strong and respectful women. They had an amazing amount of influence on me. They



did not grow up with much, but they had a lot of drive and determination to give their family the best life. I definitely pull my strength from them. They were also very kind and generous; I know those are traits that I get from them as well.

My grandfather, Floyd "Cookie" Cook, lived his whole life on a reservation. As a child, I loved listening to his stories and learning about our people through his teachings. Even as I got older, I would sit with him in his kitchen with the wood stove crackling in the background, an antique radio always to set to the same AM station, and we would eat Peanut Butter Kisses together. He ALWAYS kept candy in the refrigerator. Most of my cousins didn't know where to find the candy but I knew the secret. He loved motorcycles, was an Army Veteran, an amazing cook, and always had a dog around. I wish I had received great cooking skills from him but instead I am just a lover of candy like he was.

As a young boy, he was pulled from his family and shipped off to the Mount Pleasant Indian Industrial Boarding School. He was tagged on the ear like cattle, only to be identified as a number instead of his real name. His hair was shaved off, he was given a uniform to wear, and was stripped of any identity or culture. Thankfully, he survived his time at this boarding school, but, unfortunately, many of our people did not and were abused in unspeakable ways.

Boarding/residential schools led to a cultural genocide. We were considered "savages" that needed to be tamed — savages NOT human beings. I challenge you to watch a movie on Indian boarding schools with the caveat that they are hard to watch without feeling some type of emotion. Movie recommendations would be Indian Horse or We Were Children. You can also search for news articles on the web on Canadian residential schools where unmarked graves of hundreds were recently discovered. Anderson Cooper did a 60 Minute story dated Feb. 12, 2023, on this.

When we speak of diversity, equity, and inclusion, we must not forget about the Native American people because for centuries that was the objective.

Native people are humans that love Mother Earth, are a respectful people and passionate about our families. We are hunters, gathers, fishermen, inventors, and we are survivors.

We are HUMANS, not SAVAGES!

Hunter and snowmobile safety courses offered

To purchase a hunting license in Michigan, an individual born on or after January 1, 1960, is required to successfully complete an approved hunter education course.

There are four options for completing hunter education in Michigan:

- Traditional classroom-based course (which includes the in-person field day).
- Online course plus in-person field day.
- Interactive online course plus in-person field day.
- Take home study course plus in-person field day.

Non-residents can purchase a Michigan hunting license with a valid hunter education safety certificate from another state.

In Michigan, all snowmobile operators who are 12 to 16 years of age are required to take a Michigan-approved snowmobile safety course and obtain a snow-

mobile safety certificate.

Snowmobile safety education training and online safety courses are recommended for all snowmobile operators. There are a couple ways to get your certificate:

Take an online snowmobile safety class at snowmobile-ed.com/michigan.

Take and pass the final exam. Print out your permanent snowmobile safety certificate once you have successfully completed the course, passed the exam and paid the course fee (pay only when you pass).

Or you can find a classroom-based snowmobile safety education course. You can enter your zip code to search for classes near you.

Visit the DNR website for more information about these and other offerings, at: <https://www.michigan.gov/dnr/education/hunter-rec-edu-safety>

Mending Broken Hearts is looking for participants

Join us for the Mending Broken Hearts Program, a 12-week, culturally-based, healing program. This unique program is facilitated by providers and members of the community.

The Mending Broken Hearts program provides culturally-based healing from grief, loss and intergenerational trauma, especially

for Native families.

This is a free program and participants are welcome to self-refer. Child care services and transportation may be available upon request.

Contact Holly Bishop at (906) 250-9178 or bishop1@michigan.gov if you have any questions or to sign up.

Domestic Violence Awareness Walk held

Dozens of people gathered at Nokomis Mishomis Place for the Advocacy Resource Center's Four Directions Domestic Violence Awareness Walk on Oct. 23.

Participants opened the event by crafting their own personal signs bearing various messages against domestic violence and showing support for the victims. Sault Tribal Chairman Austin Lowes addressed the audience providing numerous statistics revealing that men and women alike can be victims.

"The goal is simple," said Lowes of the event, "to raise awareness of domestic violence. This affects a lot of families."

After completing their signs, participants were treated to Subway sandwiches, before heading outside for the Four Directions Walk. Those involved divided themselves into four different groups. The East, was represented by the youth, the South was comprised of young adults, The West, which made up the largest segment, was represented by mature adults, and the North was comprised of the Elders.

With the circle complete, participants continued their walk braving cool temperatures and spitting rain to promote awareness to end domestic violence.



Beatrice Jackson and Brianna Leonard work on their signs, while Rachael Stoeckle offers advice.



Lauren Mortinsen, 11, assisted Elder Beatrice Jackson in applying a temporary tattoo, while Cassandra Bitnar photographed the activity on Beatrice's phone.



Rain Weber, 10, with Tiffany Germain, center and eight-year-old Octavia crafting their messages for the event.



Cassandra Bitnar was the lone participant in the South., representing the young adults.



The East had five of the youngest participants.



Kathleen Wiley and Jackie Robinson prepare to feast on Subway sandwiches after completing their signs.



The mature adults, representing the West, had the most participants including the pair at far left, Neemin Matrious and Jessica Gillotte-King carrying the largest sign on behalf of the Sault Tribe Advocacy Resource Center.



Five elders were bundled up in the North preparing for the Four Directions Walk.

Photos by Scott Brand

INDIAN ENERGY REGIONAL ENERGY PROGRAM PROJECT DEVELOPMENT PIPELINE

Indian Energy's Regional Energy Program consists of projects located in the Southern California, Baja Norte California Mexico, and the Mexican Mainland. The Company's project development pipeline consists of 17 projects totaling 18GW of energy generation, to include solar, wind, and geothermal. Also included is 14GWh of energy storage solutions. The Company is in the process of securing a cross border permit to transport energy between The United States and Mexico. Currently the Company has acquired site control of 1,000,000+ acres of land located in Baja and Sonora Mexico. The land under site control is currently owned by various tribe's including Seri's, Pima's, Yaqui's, Papago's, and various Ejido groups.

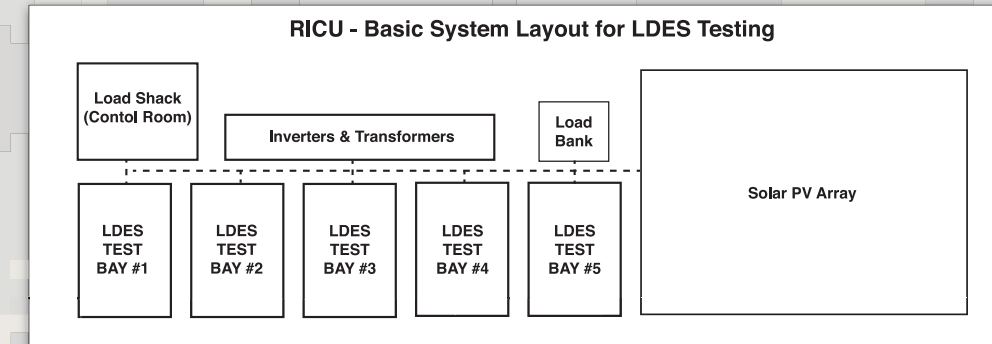
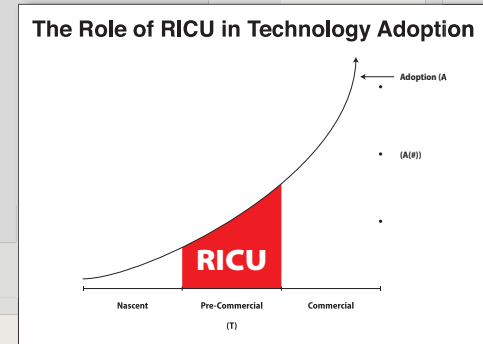
The Company is working with the Navy's Marine Corp Expeditionary Warfare Center and the State of California on multiple research and development projects that will enhance the State and the Military's ability to meet their energy goals.

Current projects under construction are the RICU Wave-1 at MCAS Miramar, and the Viejas Enterprise Microgrid located on Viejas Band of Kumeyaay Indian lands outside of San Diego. The RICU Wave-1 goes live in late 2023, while the Viejas Enterprise Microgrid goes live in late 2024.



RAPID INTEGRATION COMMERCIALIZATION UNIT (RICU) A Long Duration Energy Storage (LDES) Laboratory

- Designed, built, and run by Indian Energy through a partnership with the California Energy Commission (CEC) and Naval Facilities Engineering & Expeditionary Warfare Center (NAVFAC EXWC).
- Indian Energy was awarded a grant from the CEC to develop the RICU and a research agreement from the federal government for R&D.
- The RICU Lab is on MCAS Miramar Marine Base in San Diego, CA.
- The RICU is a living laboratory that validates Long Duration Energy Storage (LDES) technologies so that the CEC, Indian Energy, and the government can ensure that systems are commercially viable and ready to be deployed on a utility scale.
- The RICU will begin testing five LDES technologies in late September 2023, with each test running for three months. The second phase of testing begins in March 2024 with five new technologies and phase 3 is in the planning stages.



NAVFAC EXWC Awards Indian Energy, LLC, with Cooperative Research and Development Agreement

Port Hueneme, Calif. (February 13, 2022) –

Naval Facilities Engineering and Expeditionary Warfare Center (NAVFAC EXWC) announces its Cooperative Research and Development Agreement (CRADA) with Indian Energy, LLC—a 100% Native American Indian owned limited liability company headquartered in Anaheim, California, specializing in microgrid development.

The purpose of the CRADA is to develop and demonstrate a combination of energy storage technologies that are reliable, affordable, and safe for a diverse set of energy storage technologies for the modern age. In the future, these efforts could become scalable microgrids that could collectively behave as a generator, or storage system capable of providing grid reliability services, in addition to their core function of generating and storing electricity.

Systems like these are currently being tested and adopted for operational use by U.S. Marines at Marine Corps Air Station Miramar. There, Indian Energy's systems will be integrated into Miramar's multiple award winning microgrid for testing and evaluation by NAVFAC EXWC, the Navy, the Department of Energy, and more.

Large-scale energy storage is a critical player in widespread de-carbonization of the United States' electric power generation and delivery capabilities. To date, single technology solutions do not offer the required capacity or longevity to support large-scale energy storage. Much of the current technology is also costly, and can be harmful to the environment once decommissioning occurs.

"This CRADA is a critical opportunity for NAVFAC EXWC to work with a local, leading energy security company to rapidly integrate

and commercialize technologies that will become breakthrough advancements for innovative energy storage," said Robert Nordahl, NAVFAC EXWC Microgrid Team Lead. "The capability to coordinate and optimize a diverse portfolio of energy storage solutions is essential to the dexterity of the Navy."



Another critical benefit of the CRADA, is that it is a direct-award contracting vehicle that allows the Navy and Marine Corp to acquire the commercialized system of systems directly from Indian Energy, which will significantly decrease acquisition costs and the time necessary to integrate the systems.

"This effort is another recent example of a growing history of successful partnerships between the Navy and Native American-owned businesses. In addition, this brings together the long standing relationship between NAVFAC and the California Energy Commission and provides a clear path toward the success of all parties on their climate and resiliency goals. We could not be more honored to be able to support our state and federal partners in this way," said Allen G. Cadreau, Indian Energy Chief Executive Officer.

Tribe's YEA programs keeping area youth busy

The Sault Tribe Youth Education and Activities Program from across the service area is keeping our youth busy this season with a variety of fun-filled activities that are teaching our youth about culture, completing service



projects, leadership, health and fitness, drumming, academic support, using our culture as prevention, building learning lodges, after school craft, and Halloween fun.

This is just a small glimpse of what YEA is all about.



Madison Knauf's service project was making and donating blankets to the infusion center at the local hospital.



Vivian Durm participates in YEA's art and culture program in St. Ignace.



Photo by Sue St. Onge

Unit III Youth Education & Activities (YEA), health and fitness afterschool program participants had just finished their hike through a forestry trail (above). Front to back left to right: Zoey Smith, Preston Howell, Silas Harmon, Marion Belonga, Marley Belonga, Victoria Matson, YEA Student Service Assistant Leslie Werkheiser (top right), Mila Orriss, Vivian Durm, Riley McMillan, Waylon Howell, and Trinity LeMaster.



Kitchitiki Singers, Manistique drum practice - Greg Gierke (upper right), Hunter Shaver, Ruckus Gilbert, Kayden Siewart, Chase Chartier, Brayden Pierce, Brennan Hoholik, Logan Drouin and Christopher Reid (top center).



St. Ignace cultural class for kindergarten through second grade - Harper Miron, Hallee Miron, Charlotte Erickson, Allie Peterson, Vivian Hoholik and Brailee Shaver.



Culture class for third to fifth graders - Layla LaVance, Charlotte Gwaltney, Brennan Hoholik, Finley Hinkson and Hunter Shaver.



Manistique Tribal Youth Council attended tribal board meeting - Ashlyn Smith, Lilly Smith, Lilah Hinkson, YEA Coordinator Janet Krueger and Emma Smith.



The Sacred Bundles Talking Circle was presented by Lisa Burnside and Pat McCoy.



Having fun at a Halloween party.



Claudia Bernier, Emilia Lowes, Megan Causley, Chris Causley and Titus Causley with their Lego men self-portraits.



Front L-R: Titus Causley, Emilia Lowes, Dakota Causley. Back L-R: Jaxon King, Olivia King, and Luna Devoy on a trip to the Ditmyer Pumpkin Farm.



Sault Ste. Marie Tribal Youth Council members - on the left side are Piper Bernier (left front) and Cruz Carr. On the right side are Toren Clark (right front), YEA Advisor Madison Knauf, Chris Causley, and Titus Causley.



SAULT TRIBE thrive

BUSINESS DIRECTORY

This business directory is intended to foster an empowered economy between Sault Tribe citizen-owned business, Sault Tribe enterprises, tribal businesses, and the global economy.

Sault Tribe Thrive's Business Directory is open to all Native/Indigenous entrepreneurs, artists, nonprofits, tribal governments, tribal colleges, and tribal enterprises throughout the Sault Tribe

service area and at large. Sault Tribe Thrive is proud to offer free basic business listings for all Sault Tribe citizen-owned businesses and Sault Tribe divisions, sub-divisions, and enterprises.

Sault Tribe Thrive reserves the right to review applications, request additional information before listing, and to refuse applications if they cannot be verified.

To be listed in the directory as a Native-owned business, you will be required to complete an intake form and provide the tribal file number from your tribal identification card. The intake form can be found by selecting "More Info" at www.saulttribe-thrive.com/business-development-2/.

Sault Tribe Thrive is an MBDA AIANNH Project estab-

lished in 2019, funded by the U.S. Department of Commerce's Minority Business Development Agency, with administrative support from the Sault Ste. Marie Tribe of Chippewa Indians. Sault Tribe Thrive provides business support to Sault Tribe citizen-owned businesses through outreach, advocacy, and business consultation initiatives.

To view the online business

directory, go to: www.saulttribe-thrive.com/business-directory/.

Connect with us in person at the Tamarack Business Center in Downtown Sault Ste. Marie, Mich. Find us online at Facebook, LinkedIn, Instagram, and YouTube, or by email at info@saulttribethrive.com, or phone (906) 635-6050, ext. 26121.

Let's Connect!

Brimley 49715
Innes Welding & Repair
David Innes
Brimley, MI 49715
(906) 440-5364
thepropmaster@hotmail.com
Manufacturing

Dafter 49724
NMK Consulting
Charlee Brissette
Dafter, MI 49724
(906) 630-3082
cnbrissette@gmail.com
Consulting

Floor Masters
Art Derry
Dafter, MI 49724
(906) 322-0252
art.derry@yahoo.com
Construction

Kincheloe 49788
Anchor Systems
Frederick Carr
Kincheloe, MI 49788
(906) 240-1180
advantage@anchorsystems.tech
anchorsystems.tech
InformationTechnology

DeMawating Development
Theresa Germain
Kincheloe, MI 49788
(906) 498-9800
tgermain@saulttribe.net
demawatingdevelopment.com
Other

Red Sky Woman Designs
Helen Wilkins
Kincheloe, MI 49788
(906) 322-9597
redskywomandesigns@gmail.com
facebook.com/Red-Sky-Woman-Designs-179306729328391
Arts/Culture

Sault Ste Marie 49783
APB Tree Service
Andrew Bizant
Sault Ste. Marie, MI 49783
(976) 623-9937
andrewbizant@gmail.com
Environmental

Ashmun Creek Apartments
Randy McGahey
Sault Ste. Marie, MI 49783
(906) 632-4470
ashmuncreek@sbcglobal.net
ashmuncreek.com
Real Estate

Bloom Co.
David Lockhart
Sault Ste. Marie, MI 49783
(906) 201-0861
shop@bloomcosault.com

bloomcosault.com
Retail

Bonacci Contracting
Carmine Bonacci
Sault Ste. Marie, MI 49783
(906) 632-1425
bonacci10@gmail.com
Construction

C.H. Marine Service
Chris Hank
Sault Ste. Marie, MI 49783
(906) 203-6396
chmarineservices@gmail.com
facebook.com/CHMarineServices
Transportation

Caster Construction
Ed Caster
Sault Ste. Marie, MI 49783
(906) 635-3550
elcasterconstruction@gmail.com
casterconstruction.com
Construction

Castle of Wood
Nick Deplonty
Sault Ste. Marie, MI 49783
(906) 748-0739
nickdeplonty@gmail.com
facebook.com/CastleofWood
Hospitality

Contain A Pet of Eastern Upper Peninsula
Melinda Menard
Sault Ste. Marie, MI 49783
(906) 290-0478
capofeup@yahoo.com
containapetofeup.com
Recreation

Creative Memories
Janet Hess
Sault Ste. Marie, MI 49783
(906) 630-3878
jhess4cm@hotmail.com
creativememories.com/user/JanetHess
Arts/Culture

Crooked Music
Zack Crook
Sault Ste. Marie, MI 49783
(906) 259-7400
crookedmusicstore@gmail.com
facebook.com/CrookedMusicStore
Arts/Culture

D & S Custom Upholstery
Dwayne Lehn
Sault Ste. Marie, MI 49783
(906) 748-1047
dwaynel91@gmail.com
facebook.com/D-S-Custom-Upholstery-143701853133290
Retail

Flowers Automotive
James Flowers
Sault Ste. Marie, MI 49783
(906) 632-8074
flowersautoservice@gmail.com
Transportation

Franks Place
Dawn Bumstead
Sault Ste. Marie, MI 49783
(906) 440-4457
dawn@franksplace.biz
Food & Beverage

Gitchi Enterprises
Todd Olmstead
Sault Ste. Marie, MI 49783
(906) 203-4491
tolmstead@saulttribe.net
gitchiauto.com
Transportation

Great Lakes Roofing & Insulation Systems
Craig Miller
Sault Ste. Marie, MI 49783
(906) 647-2916
info@greatlakesroofing.com
greatlakesroofing.com
Construction

Hilltop Bar & Restaurant
Brandon McKerchie
Sault Ste. Marie, MI 49783
(906) 259-2621
mckerchiebrandon@yahoo.com
facebook.com/sugarislandhilltop
Food & Beverage

Hunt's Maintenance & Services
Tyson Hunt
Sault Ste. Marie, MI 49783
(906) 748-1920
tysonhunt2019@gmail.com
Janitorial Services

Kewadin Casinos
Allen Kerridge
Sault Ste. Marie, MI 49783
1-800-539-2346
akerridge@saulttribe.net
kewadin.com
Hospitality

Kristi Harwood-Causley State Farm Insurance
Kristi Harwood-Causley
Sault Ste. Marie, MI 49783
(906) 635 5377
kristi@teamkristi.com
teamkristi.com
Insurance

LaJoie Truck Service & Fabrication
Marty Lajoie
Sault Ste. Marie, MI 49783
(906) 647-3209
ltf1@yahoo.com
facebook.com/profile

php?id=100088037838388
Transportation

Lockview Restaurant
Amy Goetz
Sault Ste. Marie, MI 49783
(906) 632-2772
lockview2019@gmail.com
thelockviewrestaurant.net
Food & Beverage

Long Ships Motel
Scott Albon
Sault Ste. Marie, MI 49783
(906) 632-2422
scotty_joce@yahoo.com
Hospitality

McGahey Construction
Randall McGahey
Sault Ste. Marie, MI 49783
(906) 440-6305
ashmuncreek@sbcglobal.net
kyle-mcgahey-g7ez.squarespace.com
Construction

MCS Flooring
Sonja McLeod
Sault Ste. Marie, MI 49783
(906) 440-7702
mcsflooringsm@gmail.com
Construction

Medical Arts Optical
Melanie Cook
Sault Ste. Marie, MI 49783
(906) 632-2289
melaniebea@aol.com
melaniecookhearingaids.com
Healthcare

Midjim Convenience Stores
Jamie MacDonald
Sault Ste. Marie, MI 49783
(906) 635-4782
jmacdonald@saulttribe.net
saulttribe.com/enterprises/midjim
Retail

Mikes Garage
Mike Cook
Sault Ste. Marie, MI 49783
(906) 635-5755
mikemike1962@hotmail.com
mikes-garage-sault-ste-marie.edan.io
Transportation

National Painting Contractors (MBE)
James McClusky
Sault Ste. Marie, MI 49783
(828) 989-1395
nationalpaintingcontractors@gmail.com
nationalpaintingcontractors.business.site
Construction

Pennzoil
Tracy Smart
Sault Ste. Marie, MI 49783
(906) 635-3018
admin@pennzoilsaultstемarie.com
facebook.com/Pennzoilssm
Transportation

Prescription Oxygen
Ron Gordon
Sault Ste. Marie, MI 49783
(906) 632 3772
ron@prescriptionoxygen.com
facebook.com/PrescriptionOxygen
Healthcare

Proline Auto
Mike Pages
Sault Ste. Marie, MI 49783
(906) 259-0809
mpages73@gmail.com
facebook.com/ProLine-Auto-408518942632829
Transportation

Regal Home Care
Breana McCoy
Sault Ste. Marie, MI 49783
(620) 308-0277
regalhomecare@outlook.com
regal-homecare-906-live.com
Healthcare

Roy Electric
Jeff Roy
Sault Ste. Marie, MI 49783
(906) 632-8878
royelectric@lighthouse.net
royelectriccompany.com/homeUtilities

Sabatine Appraisals
Stephanie Sabatine
Sault Ste. Marie, MI 49783
(906) 322-2960
stephsabatine@gmail.com
Real Estate

Salon C
Cathy McClellan
Sault Ste. Marie, MI 49783
(906) 635-3964
cathyann906@gmail.com
saloncssm.com/
Personal Care Services

Saulteur
Scott Lavictor
Sault Ste. Marie, MI 49783
(313) 244-9793
scott@saulteur.com
saulteur.com
Consulting

Sault Printing
Ron Maleport
Sault Ste. Marie, MI 49783

From "Directory," page 17

(906) 635-3369
ron@saultprinting.com
saultprinting.com
Marketing/Advertising

Sault Tribe Incorporated
Joel Schultz
Sault Ste. Marie, MI 49783
(906) 203-5343
joel.schultz@saulttribeinc.com
saulttribeinc.com
Public Sector

Soo Welding
Charles Fabry
Sault Ste. Marie, MI 49783
(906) 632-8241
soowelding@outlook.com
Manufacturing

Sugar Island Shores
David Menard
Sault Ste. Marie, MI 49783
(906) 440-7644
sugarislandshores@yahoo.com
Food & Beverage

Superior Insurance Agency of
Sault Ste Marie LLC
Ben Schultz
Sault Ste. Marie, MI 49783
(906) 632-3337
Benjamins@SuperiorSault.com
SuperiorSault.com

Superior Custom Blinds
Jennifer Hatfield
Sault Ste. Marie, MI 49783
(906) 630-6939
jennlroy209@gmail.com
superiorcustomblinds.com
Retail

The Palace Saloon
Doreen Goetz
Sault Ste. Marie, MI 49783
(906) 632-7721
palacesaloon1903@gmail.com
thepalacemexicanrestaurant.com
Food & Beverage

Total Outlook Hair Care and
Tanning
Connie Payment
Sault Ste. Marie, MI 49783
(906) 632-6936
totaloutlooksalon@gmail.com
totaloutlookhairandtanning.com
Personal Care Services

Tribal Voices
Cressandra Thibideaux
Sault Ste. Marie, MI 49783
(310) 880-3907
cressandra@mac.com
Media/Entertainment

TRUCOR USA
Mike DiAngelo
Sault Ste. Marie, MI 49783
michael.diangelo@trucorusa.com
comtrucorusa.com
Construction

U.P. Auto Group
Gerald Jackson
Sault Ste. Marie, MI 49783
(906) 630-5361
gjackson@upautosales.com
upautosales.com
Transportation

U.P. Carpet Mart
Don McKerchie
Sault Ste. Marie, MI 49783
(906) 635-1026
eitrem@sbcglobal.net
upcarpetmart.business.site
Retail

We Care Home Care
Lisa Switzer
Sault Ste Marie, MI 49783
(906) 379-8070
lhoopswitzer@gmail.com
Home Healthcare / Cleaning

Wholistic Energy Healing
Shelly Kucharczyk
Sault Ste. Marie, MI 49783
(906) 440-2224
s.kucharczyk@yahoo.com
facebook.com/wholisticwellness-
solutions
Healthcare

Willis Pest Control
Willard Willis
Sault Ste. Marie, MI 49783
(906) 322 7445
batman_will@hotmail.com
willispestcontrol.com
Environmental

Woody's One Stop
Nick Lourcias
Sault Ste. Marie, MI 49783
(906) 632-7361
nlourcias@hotmail.com
Retail

Y & R Complete Outdoor
Services
Ron Baird
Sault Ste. Marie, MI 49783
(906) 203-7388
yolandanolanbaird@gmail.com
Environmental

Cedarville 49719
Hakola Porta John Service and
Rental
Tony Hakola
Cedarville, MI 49719
(906) 430-8058
tonyhakola@hotmail.com
Hakolaportajohn.com
Environmental

The Ice Cream Shoppe
Jill Mcleod
Cedarville, MI 49719
(906) 484-5525
jmcleod@eupschools.org
facebook.com/The-Ice-Cream-
Shoppe-175540842574683
Food & Beverage

Curtis 49820
Above The Bridge Outdoors
Morgan Gelinax
Curtis, MI 49820
(906) 287-0903
abovethebridgeoutdoors@gmail.com
abovethebridgeoutdoors.com
Other

DeTour Village 49725
Barbeaux Fisheries
Paul Barbeaux
DeTour Village, MI 49725
(906) 297-5969
barbeauxfish@gmail.com
Farming/Fishing

Timberdoodle
Janelle Gross Dudeck
DeTour, MI 49725
(906) 297-1011
timberdoodle.mercantile@gmail.com
com
facebook.com/shoptimberdoodle
Retail

Germfask 49836
Superior Satellite Solutions
Gary Talarico
Germfask, MI 49836
(906) 450-7675
chieffishfinder1@att.net
Telecommunications

Mattson's U.P. Feeds
Casey Mattson
(906) 586-9969
7476 County Line Rd.
Germfask, MI 49836

Gould City 49838
Peninsula Shores Gallery
Eirmella O'Neil
Gould City, MI 49838
(906) 477-6303
eirmella.oneil@gmail.com

Arts/Culture

Hessel 49745
Burnside Creations
Lisa Burnside
Hessel, MI 49745
(906) 430-7323
burnsidecreations1@gmail.com
Retail

McMillian 49853
Thermal Kernels
Cathy Baker
McMillian, MI 49853
(231) 675 1060
lovethermalkernels@gmail.com
facebook.com/cornybusiness
Personal Care Services

Naubinway 49762
Kings Fish Market
Sally Schultz
Naubinway, MI 49762
(906) 477-6311
benschultz3134@gmail.com
Farming/Fishing

Moofinfries
Laura Flatt
Naubinway, MI 49762
(906) 630-6932
moofinfries@gmail.com
facebook.com/moofinfries
Food & Beverage

Newberry 49868
Gitche Gume Handcrafted
Jewelry
Gina Harman
Newberry, MI 49868
(906)293-3625
ginavgc@gmail.com
lakesuperiorpendants.com/index.
php?page=Home
Arts/Culture

Northern Wings
David Goudreau
Newberry, MI 49868-8170
(906) 477-6176 EXT 101
dave@northernwings.com
northernwings.com
Aerospace & Defense

Superior Web
Gina Harman
Newberry, MI 49868
(906) 293-3625
ginavgc@gmail.com
superiorweb.net
Media/Entertainment

Rudyard 49780
Hakola Logging
Tate Hakola
Rudyard, MI 49780
(906) 440-0842
hakolaj@michigan.gov
Environmental

Hucks Pub
Tate Hakola
Rudyard, MI 49780
(906) 442-1042
hakolaj@michigan.gov
hucks-pub-grill.business.site
Food & Beverage

Surface Tech Applicators
Nathan Cremeans
Rudyard, MI 49780
(906) 203-9397
nscremeans@gmail.com
surface-tech-applicators.com
Construction

The Brickyard Bar and Grill
Tate Hakola
Rudyard, MI 49780
(906) 442-1099
hakolaj@michigan.gov
facebook.com/pages/catego-
ry/Bar/The-Brickyard-Bar-
Grill-1017733485083023
Food & Beverage

Moran 49760
Native Steel Welding & Fab

Trystan Ferris
Moran, MI 49760
(906) 430-7816
nativesteelwelding@gmail.com
Manufacturing

T & K King Fisheries
Theron King
Moran, MI 49760
(906) 643-1068
kingsfishmarket@gmail.com
facebook.com/kingsfishmarketan-
drestaurant
Farming/Fishing

St. Ignace 49781
Bay Pharmacy
Douglas Goudreau
St. Ignace, MI 49781
(906) 643-7725
bayrxsi@gmail.com
mygnp.com/pharmacies/bay-phar-
macy-st-ignace-mi-49781
Healthcare

Belonga's Plumbing and Heating
Steven Paquin
St. Ignace, MI 49781
(906) 643-9595
spaquinbph18@gmail.com
Utilities

Cottage UP
Thomas Clark
St. Ignace, MI 49781
(906) 298-2298
cottageup@outlook.com
www.cottageup.org
Retail

Eversons Furnishings
Jimmy Everson
St. Ignace, MI 49781
(906) 643-7751
info@eversonsfurniture.com
eversonsfurniture.com
Retail

Horn's Odds & Ends
Irene Horn
St. Ignace, MI 49781
(906) 984-2189
mhorn517@gmail.com
facebook.com/hornsoddsnends
Retail

Jose's Cantina
Allecia Gallo
St. Ignace, MI 49781
(906) 984-2212
galloscantina906@gmail.com
joses-cantina.business.site
Food & Beverage

M&M Fisheries
Lynn Rickley
St. Ignace, MI 49781
(734) 516-6536
lynnrickley63@gmail.com
Farming/Fishing

Manleys Famous Smoked Fish
Don Wright
St. Ignace, MI 49781
(906) 643-8930
dwright@clmcaa.com
facebook.com/Manleysfishmarket
Farming/Fishing

Mark & Sons Plumbing and
Heating
Lewis Mullins
St. Ignace, MI 49781
(906) 643-9597
markandsonsph@gmail.com
Utilities

Massey Fish Company
Jamie Massey Sr.
St. Ignace, MI 49781
(906) 984-2148
masseysfish@gmail.com
masseyfish.com
Farming/Fishing

Molly's Nest
Robin Pavia
St. Ignace, MI 49781

(906) 298-1633
gardensbymollysnest@yahoo.com
Farming/Fishing

Ron's Birchbark Studio
Ron Paquin
St. Ignace, MI 49781
(231) 420-3518
mollyronpaquin@gmail.com
Arts/Culture

Ruddles Native Painting
Carol Ruddle
Mackinac Island, MI 49781
(906) 430-1728
nativepaintingmack@gmail.com
Arts/Culture

St. Ignace in Bloom
Alex Belonga
St. Ignace, MI 49781
(616) 644-4214
greenhouse@stignaceinbloom.com
stignaceinbloom.com
Retail

Weddings By Judy in Northern
Michigan
Judy St. Louis-Scott
St. Ignace, MI 49781
(906) 643-7064
stlouis92@yahoo.com
facebook.com/weddingsbyjudyin-
northernmichigan
Hospitality

Zodiac Party Store/Taste of the
Upper Peninsula
Keith Massaway
St. Ignace, MI 49781
(906) 643-8643
kmassaway@msn.com
facebook.com/zodiacpartystore
Retail

Escanaba 49829-49837
Benoit's Glass and Lock
Rick Benoit
Escanaba, MI 49829
(906) 786-5281
benoitglass@gmail.com
facebook.com/pages/Benoits-
Glass-Lock/126579080731438
Construction

Dress up and Tuxedo
Jody Bugay
Escanaba, MI 49829
(906) 789-9796
jody@dressup906.com
dressup906.com
Retail

Feathers Upholstery
Emily McGearry
Escanaba, MI 49829
(906) 446-3406
mcmilly451@gmail.com
Apparel

Ojibwe Hazardous Abatement
Rob Arndt
Escanaba, MI 49829
(906) 786-3001
robarndt95@gmail.com
ojibwehazardous.com
Environmental

Pink Giraffe Beauty Products
Maddi Lynch
Escanaba, MI 49837
(906) 280-6994
pinkgiraffebeautyproducts@
gmail.com
pinkgiraffeproducts.com
Retail

Rock Road Masonry &
Construction
Brandon Deno
Escanaba, MI 49829
(906) 789-7892
scs@chartermi.net
Construction

UpCycled Hippie
See "Directory," page 19

From "Directory," page 18

Jessica Shields
Escanaba, MI
(906) 553-8430
jessicaloushields@gmail.com
facebook.com/upcycledhippiee
Retail

Garden 49835

Eagle HVAC Services
Bryan Goudreau
Garden, MI 49835
(906) 450-0408
groundsourcehtg@gmail.com
eaglehvacservices.com
Construction

Pederson Lawn & Landscape

Heather Pederson
Garden, MI 49835
(906) 644-2150
dr.pederson@hotmail.com
Environmental

Gwinn 49841

Sawyer Village
Joy Page
Gwinn, MI 49841
(906) 346-3919
sawyervillage@saulttribe.net
sawyervillage.com
Real Estate

Sore Arm's Fishing Charters

Aaron Hendrickson
Gwinn, MI 49841
(906) 360-6035
sorearmscharters@gmail.com
sorearmscharters.com
Recreation

Manistique 49854-49660

Creative Change Associates
Alan Barr
Manistique, MI 49854
(906) 286-1922
alanb@creativechange.org
creativechange.org
Consulting

Gus' Gourmet Nuts

Dustin Denkins
Manistique, MI 49854
(906) 644-2548
dustin@denkins.net
dustindenkins.com
Food & Beverage

Peterson Building & Contracting

Kenneth Peterson
Manistique, MI 49854
(989) 329-2139
herbstsg@gmail.com
Construction

Seriously SEO

Dustin Denkins
Manistique, MI 49854
(906) 644-2548
dustin@denkins.net
seriouslyseo.com
Business Services

Shampine Hardwood Floors

Andrew Shampine
Manistique, MI 49660
(231)510-1493
facebook.com/shampine.hardwoodfloors
Construction

The Bostique

Cindy King
Manistique, MI 49854
(906) 286-4374
bostiquemstq@gmail.com
shopbostique.com
Retail

Negaunee 49866

TickledPinkAntiques
Carole Prisk
Negaunee, MI 49866
(906) 475-4810
caroleprisk@yahoo.com
facebook.com/Tickled-Pink-Antiques-183263778383419
Retail

Rapid River 49878

Wicked Walleye Tackle
Melinda Kolbus
Rapid River, MI 49878
(906) 286-1886
wickedwalleyet@yahoo.com
wickedwalleyetackle.com
Retail

Christmas 49862

White Pine Lodge
Jaime MacDonald
Christmas, MI 49862
(906) 387-1111
info@whitepinelodgeonline.com
whitepinelodgeonline.com
Hospitality

Marquette 49855

Blondeau Construction
Matt Blondeau
Marquette, MI 49855
(906) 362-6288
mattblondeau@gmail.com
blondeauconstruction.com
Construction

Blondeau Properties

Matthew Blondeau
Marquette, MI 49855
(906) 362-6288
mattblondeau@gmail.com
Real Estate

Dance of the Sun Day Spa

Dawn Cremeans
Marquette, MI 49855
(906) 249-9084
hello@danceofthesun.com
danceofthesun.com
Hospitality

McCabes Quality Flooring

William/Bill McCabe
Marquette, MI 49855
(906) 228-8821
mccabesflooring@aol.com
mccabesflooring.com
Construction

Sacred Tattoo Studio

Danielle Pemble
Marquette, MI 49855
(906) 273-0800
sacredtattoostudio.com
Personal Care Services

TriMedia Environmental and

Engineering Services
Robert Lehto
Marquette, MI 49855
(906) 228-5125
hello@trimediaee.com
trimediaee.com
Environmental

Munising 49862

Iversons Outdoors
Jim Baker
Munising, MI 49862
(906) 452-6370
orders@iversonssnowshoes.com
iversonssnowshoes.com
Retail

Matsons Fisheries

Katy Matson
Munising, MI 49862
(906) 202-0025
matsonfish@yahoo.com
Farming/Fishing

Wetmore 49895

Midway General Store
Erica Kemeny
Wetmore, MI 49895
(919) 621-8998
kemenyerica@gmail.com
Retail

Trout Creek 49967

Calderwood Enterprises
Fred Slinger
Trout Creek, MI 49967
(906) 852-3232
fredslinger@jamadots.com
calderwoodenterprises.com
Manufacturing

Boyne Falls 49713

Mountainside Apartments
Marijo Beckman
Boyne Falls, MI 49713
(231) 330-1992
mjbeckman1@gmail.com
mountainsidegrille-boyne.com
Real Estate

Mountainside Grille

Marijo Beckman
Boyne Falls, MI 49713
(231) 330-1992
mountainsidegrille@hotmail.com
mountainsidegrille-boyne.com
Food & Beverage

Buckley 49620

The Buckley General Store
Carl Brasseur
Buckley, MI 49620
(231) 342-4245
Retail

Farwell 48622

Carrow Super Market
Eddie Carrow
Farwell, MI 48622
(989) 588-2965
carrowsmkt@hotmail.com
carrowsmarket.com
Retail

Gaylord 49735

Snowbelt Brewing Company
Angielena Muellenberg
Gaylord, MI 49735
(989) 448-7077
drinklocal@snowbeltbrewery.com
snowbelt.beer
Food & Beverage

Interlochen 49683

Bay Area Demolition
Kris Wood
Interlochen, MI 49683
(231) 709-5895
bayareademopros@gmail.com
northernmichigandemolition.com
Construction

Levering 49755

Marshalls Income Tax Service
Stan Marshall
Levering, MI 49755
(231) 537-4822
stantmarshall@gmail.com
Financial Services

Ludington 49431

Ludington Outdoor Services
Caleb Bowman
Ludington, MI 49431
(231) 690-1002
calebbowman1982@gmail.com
Environmental

Mesick 49668

Mesick Market
Carl Brasseur
Mesick, MI 49668
(231) 342-4245
Retail

Petoskey 49770

Herbal Lodge
Nathan Wright
Petoskey, MI 49770
(231) 622-9063
native14u@yahoo.com
herballodge.com
Retail

Mackinaw Trail Winery & Brewery

Laurie Stabile
Petoskey, MI 49770
(231) 487-1910
stabilelaurie@gmail.com
mackinawtrailwinery.com
Food & Beverage

Muscotts Painting

James Muscott
Petoskey, MI 49770
(231) 342-7055
jamesmuscott@hotmail.com
muscottspainting.com

Construction

Traverse City 49686

Allegra Printing
Roger Leask
Traverse City, MI 49686
(231) 632-4448
roger@allegratc.com
allegramarketingprint.com/locations/traverse-city-mi
Marketing/Advertising

Tustin 49688

Windy Hills Bison Farms
Carl Brasseur
Tustin, MI 49688
(231) 342-4245, (231) 388-3556
Farming/Fishing

Cedar Springs 49319

Natures Cure
Joel Halloran
Cedar Springs, MI 49319
(616) 970-8016
sales@naturescurekratom.com
naturescurestore.com
Personal Care Services

Detroit 48227

Eagle Specialties
Taryn Sulkes
Detroit, MI 48227
(313) 638-6640 Ext 1
taryn@es-us.com
es-us.com
Construction

Durand 48429

East Michigan Native Plants, LLC
Angela Nelson
Durand, MI 48429
(810) 333-7501
info@eastmichnatives.com
eastmichnatives.com
Farming/Fishing

East Lansing 48823-48826

Above The Roots
Melanie Spencley
East Lansing, MI 48823
(517) 803-5105
atrootsmi@gmail.com
abovetherootsmi.com
Retail

Good Fruit Video

Justin Caine
East Lansing, MI 48823
(517) 708-3809
justin@goodfruitvideo.com
goodfruitvideo.com/about
Media/Entertainment

Irwin Group

Mitch Irwin
East Lansing, MI 48826
(517) 896 6875
irwinmitch@gmail.com
Real Estate

Galesburg 49053

Great Lakes Flooring Specialists
Julie Roberts
Galesburg, MI 49053
(269) 207-2340
julie@greatlakesflooring.net
Construction

Grand Rapids 49525

Coonen Law
Rose Coonen
Grand Rapids, MI 49525
(616) 951-1531
rcoonen@coonen-law.com
coonen-law.com
Business Services

Holt 48842

Moore Trospers Construction
Ted Moore
Holt, MI 48842
(517) 694-6310
tmoore@mooretrospers.com
mooretrospers.com
Construction

Ogitchidaa

Ann Dailey
Holt, MI 48842
(906) 322-2716
ann@companyk.us
Security

Ithaca 48847

The Pink Cactus
Laura Cook
Ithaca, MI 48847
(989) 264-2050
lannecook@gmail.com
Retail

Jenisen 49428

MI Playground
Nick Behling
Jenisen, MI 49428
(616) 201-8731
nick@enjoymiplayground.com
enjoymiplayground.com
Media/Entertainment

Kalamazoo 49009

American Dream Builders
Gary Valier
Kalamazoo, MI 49009
(269) 365-1969
garyadbslm@hotmail.com
Construction

Tinger Investments, LLC

Alex Ermatinger
Kalamazoo, MI 49009
(269) 303-1339
tingerguideservice@gmail.com
tingerguideservice.com
Recreation

Walsh Service Solutions

Lawrence (Rich) Walsh
Kalamazoo, MI 49009
(866) 977-3835
rich@walsh-ss.com
walshservicesolutions.com
Environmental

Lansing 48911-48821

517 Coffee Company
Jaime Ladronka
Lansing, MI 48911
(517) 574-5573
the517coffeeco@gmail.com
517coffeecompany.com
Food & Beverage

Great Lakes Drone Service

Kyle McPhee
Lansing, MI 48821
(517) 819-5542
greatlakesdroneservice@gmail.com
greatlakesdroneservice.com
Media/Entertainment

Livonia 48154

Greene Environmental Services
Mike Greene
Livonia, MI 48154
(734) 272-8434
mgreene@greeneenvironmentalservices.com
greeneenvironmentalservices.com
Environmental

Macomb 48044

Say It With Swag
Cassandra Pasque
Macomb, MI 48044
(248) 953-1933
sayitwithswagllc@gmail.com
sayitwithswag.net
Retail

Milford 48380

Masta Performance
Daniel Masta
Milford, MI 48380
(248) 685-8710
mastaperformance@gmail.com
mastaperformance.com
Manufacturing

Pontiac 48340

Fast & Secure Towing & Recovery
Ronald McClusky Jr.

See "Directory," page 20

Sault Tribe Thrive - beyond Michigan's border

From "Directory," page 19

Pontiac, MI 48340
(248) 993-3632
ronaldalcar@gmail.com
Transportation

Swartz Creek 48473
Premier Learning
Colleen Grace Ford
Swartz Creek, MI 48473
(810) 732-6493
cgkford@comcast.net
Education

Williamston 48895
Dream Catchers Consulting
Bill Pemble
Williamston, MI 48895
(517) 243-2877
pemblew@gmail.com
dreamcatchers.tech
Consulting

OUT OF STATE

Alabama
Revenue Return Specialists
Craig King
Guntersville, AL 35976
(706) 218-2250
craig@revenuereturnspecialists.com
RevenueReturnSpecialists.com
Business Services

Arizona
AZ Fresh Start Cleaning
Richard Oran III
Yuma, AZ 85565
(928) 304-6632
azfreshstartcleaning@gmail.com
facebook.com/profile.
php?id=100033470683369
Janitorial Services

California

Native American Church of Turtle
Island
David Gaskin
Redding, CA 96001
52 (984) 114-2145
davidgaskin4@gmail.com
nacturtleisland.org
Not For Profit

Colorado
REO Consulting, LLC
Barbara Pemble, MS, SHRM-CP
Denver, CO 80206
(303) 808-1146
bpemble@reoconsulting.org
reoconsulting.org
Consulting

Synchronized Networking
Solutions
Robert (Bob) Gonczy
Penrose, CO 81240
(719) 371-2315
rgonczy@syncns.com
syncns.com
InformationTechnology

Tadpole Press
Amber Byers
Lafayette, CO 80026
(303) 668-8812
amber@tadpolepress.com
tadpolepress.com
Communications

Tipping Point Solutions
Rick Schmidt
Centennial, CO 80112
(303) 353-0440 EXT 301
info@tp-solutions.com
tippingpointcorp.net
Media/Entertainment

Florida
IvyTek

Michael Griggs
St. Johns, FL 32259-4453
(337) 212-0994
sandy@ivytek.com
ivytek.com
InformationTechnology

Seniors Helping Seniors
Chad Lawson
Jacksonville, FL 32258
(904) 716-5680
clawson5454@yahoo.com
seniorshelpingseniors.com
Healthcare

North Carolina
Eagle's Dream
Rachel Mandelstamm
Greensboro, NC 47406
(989) 385-2129
eaglesdream2@yahoo.com
facebook.com/eaglesdream2
Arts/Culture

Ohio
Mullenbrock & Associates
Craig Mullenbrock
Piqua, OH 45356
(937) 773-8500
cmullenbrock@woh.rr.com
mullenbrockassociates.com
Financial Services

Oklahoma
Nontrivial Solutions
James Bearden
Oklahoma City, OK 73137
(405) 698-3702
james@nontrivial.net
nontrivial.net
InformationTechnology

Texas
14 PEWS
Cressandra Thibodeaux

Houston, TX 77009
(310) 880-3907
info@14pews.com
14pews.org/pages/home.asp
Media/Entertainment

3rd Run Delivery
Jennifer Anderson
Austin, TX 78240
(847) 525-0197
jenn.anderson@3rdrun.com
Food & Beverage

CompHoppers
Vickie Griggs
Livingston, TX
(337) 739-3664
comphoppers@comphoppers.com
comphoppers.com
Recreation

Hand Trucking
Andrew Garvin
Mount Pleasant, TX 75455
(469) 403-5930
persevere12@yahoo.com
Transportation

Project Pomona
Meghan Roberts
Driftwood, TX 78619
(281) 248-7406
meghan2roberts@gmail.com
projectpomona.com
Retail

TX Pro
Tracy Prout
Hutto, TX 78634
(512) 630-8848
tracy@txprollc.com
facebook.com/txprollc
Retail

Virginia
ISHPI
Earl Bowers
Suffolk, VA 23435
(757) 809-2302
info@ishpi.net
ishpi.net
InformationTechnology

Wisconsin
Blue Harbor Fish & Seafood
Lori Parkinson
Green Bay, WI 54313
(920) 435-4633
blueharborfish@yahoo.com
blueharborfish.com
Farming/Fishing

Derusha Construction
David Derusha
Ashland, WI 54806
(715) 730-0734
derushaconstruction@yahoo.com
facebook.com/Derusha-
Construction-102913544455689
Construction

JETA Corporation
Linda Grow
Neenah, WI 54957-0336
(920) 486-7072
sales@jetacorp.com
jetacorp.com
Shipping/Distribution

Ontario Canada
Credence HR
Michael DiAngelo
Sault Ste. Marie, ON P6A5A8
(705) 542-7208
michael@credencehr.ca
credencehr.ca
Business Services

Qwik Cab delivering full service to the EUP

BY SCOTT BRAND

With a fleet of five vans and a handful of drivers Sault Tribe member Mike LaVictor has become a major force in the Eastern Upper Peninsula's transportation industry.

"I worked for another company and said I'm going to start my own," said LaVictor regarding the genesis of Qwik Cab. "Now, I'm going on my third year (in the business.)"

Operating 24 hours-a-day, seven days a week, LaVictor calculated the main van puts

on 15,000 to 20,000 miles each month making an average of 30-45 runs each day.

"We do a lot of airport runs," he said of trips to and from Sault Ste. Marie to the Chippewa County International Airport in Kincheloe. "And on weekends its pretty busy until 2:30 a.m."

All in town trips have a fare of \$9, but the drivers can also make deliveries.

"We can go to Holiday (Gas Station) and get them a pack of cigarettes or a case of beer," said LaVictor noting the delivery fee is \$15. "For the Elders we'll take the groceries in for them."

LaVictor was quick to credit two individuals for helping to keep the operation running smoothly.

"My uncle, John LaVictor, helps me out when I need it," he said. "My good buddy, Bryan McDonald helps me manage



Mike LaVictor, owner of Qwik Cab, and his good buddy Bryan McDonald pose with a pair of vehicles from the fleet on a nice autumn day at Rotary Park.

when I'm not on duty."

McDonald's duties also include the necessary plowing once winter returns and mechanical work on the vans when needed.

"I have taken someone to Tahquamenon Falls and sat there

for the day and brought them back to town," said LaVictor of one of the more unusual runs he has made behind the wheel.

The main telephone number for Qwik Cab is (906) 748-4558 and is available around the clock. The holder of this phone will

either pick up the caller or dispatch another member of the crew with another van depending on the circumstances.

The smoke-free cabs are also equipped with credit card machines for those who do not have cash on hand.

At home or on the go: Social Security is online

BY HILLARY HATCH, SOCIAL SECURITY PUBLIC AFFAIRS SPECIALIST

When you retire, if you become disabled, or if someone you depend on dies— we are there when you need us. With your personal and secure my Social Security account, you can access your information, benefits, and important services from just about anywhere. Having a personal my Social Security account allows you to:

- Compare future benefit estimates for different dates or ages when you may want to begin

receiving benefits.

- Check the status of your benefits application or appeal.
- Review earnings history.
- Request a replacement Social Security card (in most states).

If you already receive benefits, you can also:

- Get a benefit verification or proof of income letter.
- Set up or change your direct deposit.
- Change your address.
- Get a Social Security 1099 form (SSA-1099).

You can even use your personal

my Social Security account to opt out of receiving certain notices by mail, including the annual cost-of-living adjustments notice and the income-related monthly adjustment amount notice. These notices are available in your Message Center when you sign into your account. We will email you so you never miss an important update.

It's easy to sign up for a my Social Security account. Please let your friends and family know that they can create their own my Social Security account today at www.ssa.gov/myaccount.

Walking on, continued

From "Walking on," page 11

Bert is survived by his wife, Marcia Menominee; children, Ashley (Timothy) Poikey of Sault Ste. Marie, Christopher Menominee of St. Ignace, Mich., Kelly Menominee of Brimley; granddaughter, Maddison Menominee of St. Ignace; mother-in-law, Marlene Grondin of St. Ignace; brothers-in-law, Brian (Christine) Grondin of Milwaukee, Wisc., Steve (Brenda) Grondin of St. Ignace, Dan (Eleanor) Grondin of St. Ignace; sister-in-law, Phyllis Grondin of St. Ignace; and multiple nieces and nephews.

Predeceased in death by his parents, Donald and Rosalie Menominee; grandparents, Stanley and Agnes Berry; father-in-law, Louis Grondin; and brother-in-law Louis "Big Lou" Grondin.

A celebration of life will be held in the summer of 2024.

Family Life Funeral Home assisted the family with arrangements.

Chairman reports on tribe's business, activities



AUSTIN LOWES
TRIBAL CHAIRMAN

Aaniin,
I will begin my unit report by unfortunately reporting that the tribe continues to acquire properties without plans on how to pay for their operational costs or what they will be used for. The most recent example of this is the tribe acquiring surplus property from the U.S. Forest Service in Manistique. This property is under 5 acres and contains several dilapidated buildings. In her last unit report, Director Darcy Morrow wrote about this like it was something to celebrate. Unless the tribe is prepared to spend millions of dollars renovating a historical property without a defined purpose, it will be nothing more than a financial burden for us. That is nothing to celebrate.

To highlight this, I will provide information about the property and the transaction. This property previously belonged to the U.S. Forest Service. Due to its deteriorating condition, the office was closed and its staff moved to a different location. In 2018, the tribe began the process to acquire this property. Due to government red-tape and COVID-19, this transaction wasn't finalized until recently.

Last month, I conducted a walk-through of this property with our Facilities manager and the board. I was appalled by its condition. I walked over dead rats, asbestos, and through entire rooms covered with mold and peeling lead paint. What appalled me the most was the terms of the deal, which I recently discovered. I was informed that roughly five years ago, the U.S. Forest Service had an assessment completed to determine how much it would cost to repair the buildings. The repairs were estimated to cost \$3 million at that time. With inflated labor and materials costs, I wouldn't be surprised if that number is twice as much now.

I was also informed that in exchange for the property, the tribe agreed to renovate the buildings to maintain their historical character. This limits our renovation options, which impacts what the buildings can be used for. Regarding their use, there is no defined purpose for the property, despite the acquisition process beginning five years ago. Let that sink in for a moment. The tribe acquired a property that will require a multi-million-dollar renovation without a plan for the buildings, how much the renovation will cost, where the funds will

come from, what programs will operate within the buildings, how much tribal support will be needed, and what level of staffing will be required.

Although the buildings are delapidated and not in use, a budget in the amount of \$50,000 will soon be voted on to provide basic maintenance for the year. How many years will the tribe have to pay \$50,000 a year before a plan is established? Why wasn't one developed five years ago? \$50,000 may not be much for some people, but it's enough to fund a full-time tribal position.

I support acquiring additional properties, but only when there is a defined purpose with a plan to cover operating costs. At the

end of the day, a "free property" from the federal government really isn't free when it involves a multi-million-dollar historical renovation.

This isn't the only vacant property that's costing the tribe. We own several buildings that are currently empty without a plan. When the Sibly property is taken into account, which was the proposed site for the Romulus Casino, we spend hundreds of thousands of dollars on unused space each year. To the board members reading this, I urge you to stop passing band aid budgets to maintain these properties indefinitely. Instead, work with our staff to determine if a financially sustainable purpose can be identified and work

towards that.

Onto more positive news — I continue to strengthen the Sault Tribe's relationship with state and federal leaders. I recently attended the Tribal-State Summit in Lansing where I was able to meet with Governor Whitmer to discuss areas of concern for the Sault Tribe. We discussed Native American boarding schools and the need to prosecute perpetrators, the need for increased funding for housing in Indian Country, and the opportunity to improve the government-to-government consultation process.

I also recently provided State Senator John DaMoose with a tour of our operations. Specifically, Sen. DaMoose

toured our Emergency/ Transitional Shelter, the Lodge of Hope, to meet with staff and residents. Sen. DeMoose has pledged to advocate for state funding to help fund the shelter. Sen. DaMoose then toured Munuscong State Park with our lead Wildlife Biologist Eric Clark to learn about the environmental work that our Wildlife Program has been performing. In Munuscong Bay alone, the Sault Tribe has planted 1,700 pounds of manoomin (wild rice) seed. I am incredibly proud of the work that Eric and his program provides. If you see him or any of his employees, give them a chi miigwech!

Austin Lowes,
Sault Tribe Chairman



State Senator John DaMoose visited the tribe recently, toured by Chairman Austin Lowes. Above, they visit the Lodge of Hope. DaMoose spoke with residents and staff.



Lowes and DaMoose visited Munuscong Bay with Lead Wildlife Biologist Eric Clark, who outlines the tribe's efforts to bring back wild rice to the area.



General Counsel Aaron Schlehber, Unit I Director Michael McKerchie, Michigan Governor Gretchen Whitmer, Tribal Chairman Austin Lowes, Legislative Mike McCoy, and Senior Attorney Ryan Mills at the annual Tribal-State Summit recently held in Lansing.

Director Lee makes monthly report for Unit 2



KIMBERLY LEE,
DIRECTOR, UNIT II

Aanii. As we look around at Mother Earth, she is falling into

protection mode. Mother Earth protects what she cares about because her job is to thrive and survive. We must recall the mission that was given to us by our first teachers. How that looks when we pause heavily relies on reflection, our teachings, and remembering to seek wisdom.

Unit 2 YEA hosted a spooky, scary, haunted trail on Oct. 7. With the help of many volunteers and hard work, this event turned out Spooktacular. They allowed me to go out on the trail to frighten the ones who decided they were brave enough to go down the scary path. They also held their annual Halloween party on Oct. 21. They had many games, candy, snacks, costumes, music, crafts, and plenty of laughter and fun. Miigwech to the staff and

volunteers who make these events possible and such a great time!

The staff from the Lodge of Hope transitional housing facility came and updated the board on how things were progressing. They had positive things to update us on, as well as a few changes that needed to be made. They also need volunteers to help assist at the shelter. Volunteering will be crucial to keep tribal support to a minimum and still as effective as possible, assisting members with a hand-up so they can get back on their feet. If you can find it in your schedule to commit to volunteering, please get in touch with them so the staff there can fill you in on the details of the forward motions to get signed up. Call (906) 632-5000.

I attended the UTFAV tribal

leadership summit on Oct. 24 and 25 on Mackinac Island. It was an excellent opportunity to learn from the professionals who work diligently to ensure we are doing as much as possible in Indian Country to protect our loved ones from the violence that plagues our communities. However, there is still so much work to be done. As an attendee, I learned more about all of the critical issues not only nationally but in our backyard as well.

Last month, in my unit report, I mentioned the visit that the board took to Washington to overview a healthcare facility that is leading the way in Indian Country. Many would like to see ours modeled and structured in similar ways. The board is voting to bring on Blue Stone Strategy

Partners, the professionals in this field, to make and implement the necessary changes within our healthcare. Our health and the future of our people depends on it!

We have been working diligently on ways to move our tribe forward, things that are holding us back, and where the lines cross. I will continue to look at things from all angles and make sensible decisions. Stay warm and healthy this winter, and if you need help with heating this season, LIHEAP applications are available for pick up or online at saulttribe.com.

Miigwech for your time.
Kimberly Lee
Unit 2 Director
Klee@saulttribe.net
(906) 379-8965

Tribe's work environment is ultra political now



MICHAEL MCKERCHIE,
DIRECTOR, UNIT I

Last month, I reported that our tribe's work environment is ultra-political right now. I cannot stress how badly this affects everything going on in our tribe. Imagine national politics and how

divisive it has become by both parties and most Americans are stuck in the middle watching the two parties tear down this nation. Our own tribal politics mirror this but on a more personal local level.

Our tribe will continue to struggle to move forward until we get past all this divisive behavior. We need to hold each other accountable for our actions and allow our laws to their job or we will continue with the chaos. The board is not there to be all powerful and have everyone do their bidding. We are elected by the membership to govern and change laws that need changing and raise our communities up. I always try and stay optimistic as our tribe continues to do many good things because of our great team members but their stress on this environment needs to help them,

not burden them more. I fear the board's ability to get good sound advice is diminishing because many team members are becoming afraid of retaliation.

Between all the investigations, audits, and talks of banishment, due process, members constitutional rights, and our Courts have been trampled on. In the upcoming month, I plan on introducing a tribal law to allow our courts to address constitutional concerns brought forth by the membership. This is not a true separation of power; as the board can delegate the power, it can also take it away. But, it's a start. Right now, there are no laws that help members address constitutional issues. Our own tribal court used to be able to address them and even found some laws that were unconstitutional and struck those laws out.

All that changed last year, when the Court of Appeals was told that they do not have the authority to review such cases and that authority lies solely with the board of directors. And as such, I will propose code changes to allow our courts to review all constitutional matters as the board should not have that authority.

As I previously stated, good things are still happening in our tribe. Our Language and Culture Department continues to hold valuable teaching workshops. Our Lodge of Hope assists members with much needed housing and services to help them through difficult times. Our advocacy teams continue to bring awareness and much needed services to our communities to those effected by domestic violence, and our Health Division continues to help hun-

dreds of members each month.

Our tribe is a large tribe, but scarce on resources. We have limited budgets and many of our team members go above and beyond their job descriptions to help our communities. Can many of our services be improved, absolutely; but many of our services are already shining examples of what can be done with limited resources and motivated team members. We need to appreciate that more and recognize your efforts. I appreciate your hard work in these difficult times. Thank you for continuing to fight for our community's well-being.

As always, please reach out to me to discuss any of these or any issues our tribe is facing, I can be reached at (906) 440-7768.

Chi Miigwech.
Michael McKerchie

Borowicz discusses Sault Tribe critical issues



SHAWN BOROWICZ,
DIRECTOR, UNIT III

Aanii,
Hope all is well with you and your family and that you are getting ready for the holiday season as well as preparing for the upcoming hunting and gathering season.

It's been a busy month on my end getting ready for the above adventures as well as the board duties. First is the health care system that has needed work for some time. I'm sure most of you have had concerns with cancelled appointments, long wait times to get an appointment or any number of other concerns. I'm sure some have had great experiences with our Health Division, as I have had for a long time, and all the staff that I've ever interacted with have always been great.

It's been this way for years and it needs an upgrade and several of the board researched this and spoke to and met with other tribes with the same issues. We soon will be authorizing a new company to manage and realign our entire system for the betterment of all members. Once this is all initiated you should start to see shorter wait times to get to see a health care provider as well as better health care and more staff to take care of our increasing patients. The best thing about this new process is the board will not be interfering with the day-to-day operations of our health care system. Add this to our existing system, make improvements, encourage and hire more staff and our new health center being built in St. Ignace should be a win-win for all involved.

Our employees will be able to sell back unused accrued time and get a payout for this just before the holidays. Most employees that will benefit from this opted to not use their time to help out when we were short staffed. These employees need and deserve this recognition for their dedicated service and hopefully this will be an annual option that we won't have to vote on again and it will be a hiring incentive for the future.

I would just like to touch on the recent removal process

with Director Morrow. This was brought on by some concerned members who followed the correct procedures that are in place. When it was presented to the board, we voted and the vote was to move it forward to the three or four independent judge panel for its review and final judgement.

After their investigation it was dismissed in Director Morrow's favor. Like or dislike Darcy, the correct procedures were followed and this is the way it is supposed to happen.

Plans are underway for the Shores kids Christmas gathering, which will be an inside event

this year and not the drive up kind for the last couple of years. This event is all donated time by our employees and overseen by Mr. Tim Ryerse, who continues to outdo himself every year and this year will be more spectacular than years past.

Baamaapii.

AREA ELDER HOLIDAY PARTIES

Unit 1, 2 and 3 Holiday Party
Dream Makers - Kewadin Casino Sault Ste. Marie
Tuesday, Dec. 12, 2023
12 p.m. (Noon) - Doors open at 11 a.m.
To RSVP, please call: (906) 635-4971

Unit 4 Holiday Parties
Manistique Area - Manistique Tribal Center
Thursday, Dec. 7, 2023
6 p.m. - Doors open at 5 p.m.
To RSVP, please call: (906) 341-9564

Escanaba Area - Island Resort and Casino
Wednesday, Dec. 13, 2023
6 p.m. - Doors open at 5 p.m.
To RSVP, please call: (920) 713-2903

Unit 5 Holiday Parties
Munising Area - Munising Tribal Center
Thursday, Dec. 21, 2023
12 p.m. (Noon)
To RSVP, please call: (906) 451-4572

Marquette Area - Holiday Inn Marquette
Thursday, Dec. 7, 2023
6 p.m. - Doors Open at 5 p.m.

Sorenson discusses Unit II, tribal board issues



BRIDGETT SORENSON,
DIRECTOR, UNIT III

At the Oct. 17 meeting, the board passed a budget modification to renovate the bathroom in the Grimes house, which is adjacent to the Wequayoc Cemetery the tribe owns. This is great news that it will be handicapped accessible, as well as the recent porch and ramp renovations. This is important, so that when our people use the sweat lodge or for gatherings and such they can use the facilities.

The board also voted to once again engage the services of the firm Foster Garvey to help with our lawsuit in regards to the 2020 Consent Decree. Senior Attorney In-House, Sault Tribe Member, Ryan Mills is the lead but this will give him support when needed.

The board also approved a contract with Blue Stone Consulting for an assessment of Tribal Health Services. About half the board and the chair have been out to Washington State to tour the Jamestown tribe's medical facilities and talk with Blue Stone. I was not able to attend as I was at a HUD meeting, but apparently the tribe's health facilities are a great revenue source for that tribe. Their tribe is much smaller than ours. I know there have been several concerns over the years regarding health and I do think many people do a great job, but if this firm can do what they say they

can do and the board is hands off like they say they will be, then I will support it. Our people deserve the best health care we can give them.

The Housing Authority has also been working with Blue Stone Consulting. The firm interviewed many housing commissioners and met with the board of directors on Wednesday, Oct. 25. Unfortunately, there was only a handful of board members at that session when I believe all were a part of the health workshops on Monday and Tuesday. Blue Stone also had membership input sessions in the Sault and Manistique. Blue Stone will be working with the Housing Authority on business and strategic plans. I am hopeful that this agency will help guide us in expending our ARPA funds especially in units that haven't started their projects yet. I look forward to working with this group to gather the input, create a plan and implement the plans.

The board called a special meeting on Tuesday, Oct. 24, to vote on hiring a CFO for the casinos. We used to have separate CFO for the casino and government and then a few years ago the board voted to combine the position (which I did not support). It is too much for one person and gaming is a different animal. The meeting was called so we did not have to wait until Nov. 7 to vote to offer the position. The board did approve the person and he has accepted the position, and will be starting on Nov. 20. I would like to thank Dana Schlehner for filling in for the past 6 months or so doing both her GM position and the CFO work. She did it for free, even though the board voted for a 5% increase, which isn't much. Dana is a prior Senior Accountant and Comptroller and she would have been a great CFO but she enjoys her GM position.

The elder letter for the elder checks has been mailed out from enrollment. I am going to guess that the amount will be about

\$400, based on the number of elders this year divided by the \$3 million in interest. If Enrollment does open in February 2024, that may adversely affect the amount for January 2025. Many of you have received your referendum ballot to vote whether you agree with the board opening the rolls or not. There has also been much discussion on Mackinac Band being a part of our tribe as well. This could get ugly, one-half of the tribe is Mackinac Band.

Over a year ago, the Elder Division director had brought a resolution to the board to purchase a new handicap van for Unit 1. I amended it, with support of Director Morrow, and added one for each unit. I believe at this time that Units 1, 2, and 5 have gotten their vans. Units 3 and 4 asked for bigger vans, such as a 15-passenger, so that our elders can transport a group to places. Since we no longer have busses and can't always get the casino shuttles, we need these. I have elders in the elder complex and in my community that need a wheel chair ramp to go places so I fought hard for this. They finally just got ordered but unfortunately, they may take up to a year for production. I am hoping it doesn't take that long, but excited to have this coming.

The elder holiday meal for Units 1, 2 and 3 will be Tuesday, Dec. 12 at 11:30 a.m. at the Sault Casino. There will be limited space on transportation but if you need some, please contact Holly Kibble, or Sissi or Suzanne for Unit 3. There may also be some elders willing to car pool. It is usually a nice dinner that lasts a couple hours with live music.

The Unit 3 Christmas party will be going back to an inside party on Sunday, Dec. 17 from 3-5 p.m. at the St. Ignace casino event center.

As I am typing this report, I am out in Minnesota at a National HUD Housing Summit. Many of the people I serve with on the HUD TIAC are here as well. Since I became the

Housing Commissioner Chair over a year ago as well as being appointed to the HUD TIAC, I am trying to learn as much as I can for these roles to better serve our tribe. There is so much good information available and its good to networks with other tribes to see how and what they are doing.

At the summit, I was fortunate enough to attend a workshop that our very own tribal member, Lori Jump facilitated. Lori has worked most of her career in domestic violence previously with the Sault Tribe and currently is the CEO of Strong Hearts Native Helpline. It is awesome to see our own members making an impact especially as an advocate for women.

Director Darcy Morrow's removal hearing was held on Tuesday, Oct. 31 on Zoom. Charles Kinnart asked the court to dismiss the petition on the June 20, workshop as an open meeting violation. That motion was granted, so the court held a hearing on Darcy's motion to dismiss. The code stipulates a petitioner must include their phone number on each petition, which Charles did not do. There also must be a financial disclosure submitted with the turned in removal petition, which was not done, and finances were received, and failure to provide sufficient grounds for removal.

Nancy Hatch did donate to the Kinnarts and ended up testifying on behalf of Darcy since the Kinnarts did not disclose the donation. Nancy also stated she did not create the petition but said she knew who did but did not want to disclose who did. Kinnarts stated Nancy did. I would argue the previous chair wrote the petition and was in the room with the Kinnarts during the hearing as you could see shuffling of paper and voices of direction.

Due to the lack of following the code, the petition should have been disregarded by the tribal board but at the same time we should not involve ourselves

in regards to our peers. I did vote to send it forward to a hearing board and they did end up dismissing the petitions on Friday, Nov. 3 in writing, due to the issues with the requirements. Remember that part of the petition where Darcy was supposedly illegally recording a public board meeting while Director Freiheit continued to say FU to Darcy. I find it ironic these petitioners said Darcy had a disrespectful attitude and threatening behaviors towards other board members but said nothing of Betty shouting vulgarities and the constant threats to anyone that disagrees with her.

This hostile work environment needs to end. Each one of us represents a unit as well as all members and our voice matters just like anyone else. The disrespect many of us are subjected to, especially by newly elected, when we have been re-elected a few times and we are not cocky like the first timers.

Happy Thanksgiving to all of our hard-working team members and the entire Sault Tribe membership! Make lasting memories with your families while you still can. To those avid hunters out there, hope you get a big buck! To the people like me who love to spend the time decorating the inside or outside of your house and those that enjoy the craziness of Black Friday. Be safe!

Moving?



When you move, let us know where you are headed! That way you won't miss one issue of your tribal paper. Call (906) 632-6398 or email slucas@saulttribe.net.

Causley-Smith discusses Unit II business, 2%



LANA CAUSLEY-SMITH,
DIRECTOR, UNIT II

I will begin with some very good news for our unit. We had \$62,145.13 to distribute to requests made for short term 2 percent funding for the fall cycle. For many of those years, Director Hollowell and I attempted to always support the school districts that submitted in our area. Director Lee and I are following

that same plan. Below are the awards given to areas in our unit for project requests. There are always many more dollars requested than what we have to allocate and I know the projects appreciate the funds. We attempted to make sure all the requests received a least a portion of the funds requested.

Raber \$7,500 — Township hall roof repair

Newton \$7,500 — Historical Society

Luce \$5,000 — Airport roofing

DeTour \$7,500 — Veterans wall Rudyard School \$7,500 (their choice of projects — pool or PE equipment)

Pickford \$7,500 — School gym updates

Drummond Island \$7,500 — Pavilion

Hudson \$4,920.36 — Fire hall lighting

McMillan \$5,925 —

Tahquemenon bike trail

Snowmobile museum \$1,300

We have met with the Elder Advisory group in a session to discuss moving forward on constitutional amendments. I enjoyed hearing their input as to how to move forward and offered up my suggestions on asking for a timeline of how we can get there to make these things move forward, as the BIA must hold these secretarial elections to make changes to our Constitution. I'm 100% in support of a three branch government (always have been) and also language written in so that members can have standing in our court and language that any member 18 years and over can run for a seat on our elections. I have not wavered on these positions and when this was in front of us many years ago I supported moving the constitutional changes forward for the members to vote on. Let's see how we move forward this

time as I'm supportive of these changes and many others.

I'm still struggling with feeling like the odd man sometimes but attempt daily to find a balance and work with board members that are open to items that our unit is in need of.

We have discussed the duplex for elders in Hessel and the quadplex for elders in Newberry again and I was assured that we could move forward this spring on starting those housing units. I will remain diligent in this moving forward. Reminder, back two years ago we began a project for a rental unit constructed by the local school students (Cedarville and Rudyard along with a local construction company to build a home for fair market rental at Hillcrest.) We have an opportunity to build many more there so I will work with others to see that through as well. It's always a win when we can provide vocational

training to students and also build for a revenue generating home.

Our community center is still on hold because we have to pass more resolutions at the board level in order to approve work being done for any planning (although we held community meetings and plans two years ago for this) we remain at ground zero — I'm not going to go on a soapbox here but please know I'm doing all I can to go forward and a plan to see construction.

In closing, please know that I am doing all I can to keep steady and moving forward for our unit and the people. I look forward to seeing our the elders at the holiday dinner. If you would like to meet or discuss anything, please do not hesitate to contact me at lcausley@saulttribe.net or (906) 322-3818. Please take care of each other.

Baamaapii

Lana Causley-Smith

Morrow's removal dismissed by Hearing Board



DARCY MORROW,
DIRECTOR, UNIT IV

The past few months, I have kept quiet while frivolous removals against me were brought forward by Chuck and Brenda Kinnart. I let it go through the process. I was not at the board table advocating to stop the removals, even though it was frivolous and nothing I did was removable! I voted to send my removals to the Hearing Board because that is the process! Unlike Ms. Hampton, who voted to table her removals several times. If you didn't do anything removable, why not go through the process to honor the will of the membership? Also, Mr. McKechnie had a removal come forward but Legal said there were not enough signatures. Unit 1 board members are protected against a removal because our General Counsel Aaron Schlehuder said the petitioner needed 10% of the entire vote for Unit 1. Does that seem fair? His removal needed over 500 sig-

natures per General Counsel Schlehuder instead of 10% of his total votes but any other unit needs 100! In fact, the new general counsel interjected himself in the removal petitions for Ms. Hampton and Mr. McKechnie, but provided no similar legal advocacy regarding the petitions against me. The board had no problem voting for my frivolous removals going forward. Obviously, they were hoping I was removed especially when a board member's mother and another's daughter took the removals against me around. But when it came to the removals of board members from their new group, they tabled them. The double standards are very obvious.

See the tribe's website for my dismissal in its entirety: <https://www.saulttribe.com/government/tribal-court/download-files/download-file?path=Hearing%2BBoard%2Bopin->

SAULT STE. MARIE TRIBE OF CHIPPEWA INDIANS	
IN RE: Removal Petition of Unit 4 Board Member, Darcy Morrow	
Charles Kinnart, Petitioner	ENTERED 11/3/2023 tm
vs. Darcy Morrow, Respondent	
Before: Matthew L.M. Fletcher, Hearing Officer, and JoAnne Cook, David Hawkins, and Kekok Jason Stark, Hearing Board Members	
Counsel: Charles Kinnart, Petitioner <i>in pro per</i> ; and James A. Bias, on behalf of Respondent.	
ORDER GRANTING RESPONDENT'S MOTION TO DISMISS	
The Hearing Board convened in accordance with Sault Ste. Marie Tribe of Chippewa Indians Tribal Code Chapter 16 and hereby DISMISSES Petitioner Charles Kinnart's petition to remove Respondent Darcy Morrow for violation of Open Meetings Ordinance § 96.110.1	

ions%2Band%2BORders%252FKinnart%2Bv.%2BMorrow.%2Bfinal%2BORder%2Bunit%2Breport%2Binfo.pdf

As you can see by reading the dismissal of my removal, the hearing board found Kinnart's alleged violations were just that and nothing was removable! However, if people are looking for removable offenses, they do not have to look far.

We continue to have a majority of rogue board members doing whatever they want, changing code to fit with their agenda! I hope members start to see what is really going on!

Over the past few months, we have switched legal gears regarding our tribal treaty rights. This board brutally attacked an elder treaty defense attorney who has forgotten more about treaty rights than this crew, or our existing

attorneys, will ever learn. This individual, and his firm, were hired to litigate. As soon as the tribe changed their strategy to litigate, they terminated the litigator. I am afraid for our commercial and subsistence fishermen because of the rash decisions from the "experts" on our board.

Certain board members also attack and belittle staff during workshops and meetings. In full transparency, they are currently targeting Health by bringing in consultants to do the dirty work. The terms "transparency and accountability" are just buzz words to this new crew and their support staff.

I am extremely concerned by the lack of financial controls. The tribe is literally taking the Internet gaming funds from tribal support and sending them to the casino. There are no tribal resolutions authorizing this, so how can it be occurring? Another example, there was funding approved from Unit 1 Cultural Enhancement funds by resolution, but instead the funds were improperly taken from a Transportation grant fund without authorization. Our tribal purchasing processes are bypassed to ensure certain people get preferential treatment, or certain equipment is purchased outside the procurement process. Imagine when someone calls a contractor asking for specs and pricing and then bids the item out. Do you think that equals fair bidding practices?

While they are conducting these forensic audits, all of these actions, including those at the JKL Fidu-

ciary, need to be audited to ensure compliance with tribal and federal law. If the auditors are out there reading this – you need to check out how these things are currently occurring!

In the next few weeks, I will be bringing several resolutions to ensure accountability and transparency. I look forward to the many changes coming in the next few months and new year. While I have been distracted by these removal efforts, I will be focused on improving the tribe and holding people accountable.

I encourage each Sault Tribe member to please start attending board workshops and meetings either in person or via Zoom. Here is the link: <https://fs29.forms.site.com/SaultT/q1aksnvjv3/index.html> to attend via Zoom. You just need to fill out the form and verify you are a Sault Tribe member, and they will email you the meeting link. You can use the same link each time to attend the workshops and meetings. I think if more members were aware of what is really going on you would be more vocal and start asking hard questions. To sign up to participate go to the Sault Tribe website at saulttribe.com, sign up for the Zoom link and then you will receive the invite to board workshops and meetings.

As always, if you have any questions, or just want to chat, feel free to call me.

Thank you,
Darcy Morrow

Unit IV Representative
dmorrow@saulttribe.net
(906) 298-1888

Open Enrollment, Mackinaw Band connected



ROBERT MCRORIE
DIRECTOR, UNIT I

Aaniin, Boozhoo to all of my fellow Sault Tribe Members.

I hope my report finds you all well, in both health and spirit. As we approach the holiday season, I encourage you all to take time to spend with family, friends and loved ones. Take some time to show gratitude towards those in your life who are always there for you when you need them and reach out to those you love to let them know that they are cared about as well. The holiday season is a time to spread joy and enjoy laughter and festivities, but it's important to remember this can be a lonely time for some. Reaching out to those in need may really uplift and brighten their spirits. As a tribe, we are bound to disagree on issues, but at the end of the day let's remember to be there for one another.

Although I have spoken about open enrollment quite frequently lately, and some may be tired of hearing about it, I do believe it is

absolutely crucial to address some of the questions I've received as well as some blatantly false rumors or notions asserted by some members as well as other Directors.

First I would like to address the insinuations made by a Director on social media that "Open Enrollment and the Mack Band issue are two separate issues." This is either delusional and irrational thinking or an act of purposely misleading members, in order to avoid the tough conversation. These two issues are absolutely connected and in no way are they separate or independent of one another. When the Board of Directors voted to open the rolls pursuant to the Membership Ordinance, while failing to acknowledge that the Membership Ordinance does not align with the Sault Tribe Constitution, they simultaneously voted to support the continuation of an unconstitutional action. As it stands, if the rolls open in February, Pursuant to the Membership Ordinance, Mackinaw and Little Traverse Band Members will be eligible for enrollment. In light of this, how any Director can claim the issues are separate is beyond me and defies any and all logical thought process. Until the eligibility issue is resolved, there is no way to believe these are separate issues.

Next, I must address statements alluding to the idea that it is my intention to, "disenroll" Members of the Mackinaw Band who are currently enrolled in the Sault Tribe. This is simply not true. In fact, I have stated many times that I will not support removing

any currently enrolled members. Although I do not agree with the board action to include any band outside of the 6 Historical Bands, without a vote of the membership, I do believe we have an obligation to honor their membership. With that being said, I firmly oppose the continuation of this unconstitutional action. This should not be a decision made by the Board of Directors. This decision should rest in the hands of the membership as a whole.

Finally, I must address some outlandish comments made by Director Tyler LaPlaut in his last report. Director LaPlaut stated, "There is no room for lateral racism when there are so few of us left due to colonization and genocide, why attack each other?" These are absolutely absurd and uncalled for insinuations. It is one thing to have a civil disagreement concerning the constitutionality of tribal law; however, to attempt to characterize someone as being racially motivated because they do not agree with your point of view is extremely disingenuous. This has nothing to do with race. Furthermore, nobody is attacking anyone. To attempt to characterize this as an, "attack" is also disingenuous. I have consistently voiced my support for the Mackinaw Band. I have also placed on the agenda a resolution to offer Sault Tribe Support to the Mackinaw Band's efforts to become a Federally Recognized Self-Governing Sovereign Nation. This was not supported by the rest of the board. I view this to be more of an attack on them than anything I have stated. I have

always supported the Mackinaw Band in their pursuit of recognition and always will. Clearly, the rest of the board cannot say the same, their votes speak volumes on this issue. As Director LaPlaut stated, we do see eye to eye on many issues, and I too will continue to work with him on issues that we agree on for the betterment of our Sovereign Nation. But, I will not sit silent while Directors freely throw around accusations of racism to create smoke and mirrors to distract members from the reality that we are robbing another nation of their right to self govern. This is not acceptable behavior or rhetoric.

The Mackinaw Band should have the right to Federal Recognition and Self-Governance. I firmly believe that the Sault Tribe should stand with the Mackinaw Band in support of their continued efforts to achieve this status. This cannot be accomplished if The Sault Tribe continues to enroll their members.

One issue that the board, as well as the membership as a whole, seems to unanimously agree on is the dire need to address the issues of productivity and quality of care within our Health Division. I would like to be clear in stating that I do not believe the shortcomings rest on the Health Division Staff. This is not their fault. This is simply the result of many decades of failure by our leadership to prioritize and modernize our Healthcare Systems. We have a staff that is fully capable, dedicated, and passionate about the health of our Tribal Citizens. This falls on us, as leaders, to set

our staff up for success. I am highly confident that when provided with the necessary structure, leadership, and resources, our Health Division will flourish. This is why the Board of Directors will be taking progressive steps to reform our Healthcare System. The Board of Directors recently passed a resolution to separate the Human Resource Departments of the tribe. This will allow the Health Division, Kewadin Casinos, Government, and Enterprise to independently operate their own HR Department rather than the age old consolidated approach that has been inefficient for many years. I fully supported this as I believe it places the accountability on each Department, incentivizing an expedited hiring process. On Tuesday, November 7, 2023 the Board of Directors will vote on a resolution authorizing a contractual agreement with Blue Stone Strategy Group to provide consulting services to provide professional guidance to fully reform our Healthcare Services. Blue Stone has an impeccable track record when it comes to building high quality healthcare networks. I am highly confident that this will turn us in the right direction and put Our Tribe on the fast track to providing top notch health care services to our members. I fully support this decision.

Like always, if you have any questions, please feel free to contact me. I always look forward to hearing from our members. I pray that all of our members remain healthy and in good spirits as we enjoy the blessings Creator has gifted us with. Chi Miigwech.

Hampton reports on Unit IV issues, activities



KIMBERLY HAMPTON,
DIRECTOR, UNIT IV

Aniin kina waya (hello everybody).
Happy November! The year 2023 is almost done and I am unsure of where this year has gone. With that being said, we are moving into the holiday months with Thanksgiving, Christmas and the New Year. I recommend to everyone to practice self care during this time as stress and depression rates tend to increase during the holidays. I also want to remind everyone to relax, take a deep breath and enjoy this time of year with family and friends.

Katchup with Kim

During the end of February 2023, I started holding Zoom meetings called “Katchup with Kim” as an avenue for our tribal membership within Unit 4, as well as any of our units including at-large members, to converse with myself and hold discussions regarding upcoming resolutions, ideas members have for our tribe, and current issues. I openly welcome anyone to attend these Zoom meetings as change will take a tribe. Below is the Zoom meeting schedule with Meeting ID and Password:

Thursday, Dec.14, 2023, at 7 p.m. EST; Meeting ID: 906 440 8138; Password: KimHampton.

Powwow Meetings

Throughout the upcoming year there will be regularly scheduled powwow meetings to keep the committee on task. However, it was a committee decision to hold off on meetings until January 2024. I also encourage everyone to “like” the Niiwin Noodin Pow Wow Facebook page to keep updated on meetings, etc.

Meetings, open to the public, scheduled for the Niiwin Noodin Pow Wow Committee, will be located at the Manistique Tribal Health Center, 5698W US Highway 2, Manistique, MI.

Maamawi (together) Craft Night

The next Maamawi Craft Night is scheduled for Thursday, Dec. 21, 2023, 5:30-7:30 p.m. EST at the Manistique Tribal Health Center, 5698W US Highway 2, Manistique, MI. There are no skills required to join. Bring a project to work on, work on a group project, or just come to socialize. There will be miscellaneous crafting supplies to get us started. Everyone is encouraged to bring their own snacks and/or drinks. Everyone is welcome to participate, open to the public.

Unit 4 Elder Meetings

I encourage our tribal elders to attend elder meetings to become involved as well as stay updated on what our elder committees are working on. Below is the calendar for Unit 4 Area Elder Holiday

MANISTIQUE

High School Pool
100 N. Cedar Street, Manistique, (906) 341.4300

M

FREE to Sault Tribe members.

Open Swim Hours:
October 16 thru December 20 (Fall Schedule)
Monday & Wednesday: 6 p.m. to 9 p.m.
No Swim: 11/22, 12/11 and 12/18

Present Tribal ID to pool attendant on first visit.

Yooper Fitness
215 Oak Street, Manistique, (906) 250.9348

FREE to Sault Tribe members (members must pay at the time of registration and request reimbursement from Sault Tribe Community Health).

Hours: 24/7

Register online at www.YooperFitness.net.

Little Bear West Ice Arena
180 N. Maple, (906) 341.3863

FREE Open skate and skate rentals for Sault Tribe members.

Hours: Friday & Saturday 6 p.m. to 9 p.m. and Sunday 5 p.m. to 8 p.m.
No Skate: 12/24, 12/25, 12/31 and 1/1

Present Tribal ID to desk attendant.

FREE Recreation Opportunities for Sault Tribe Members

City Of Manistique

OPEN SWIM

October 16, 2023 - December 20, 2023

No Swim 11/22, 12/11 and 12/18

Monday & Wednesday 6-9 p.m.

Manistique High School - 100 N. Cedar Street
Present membership card to the desk attendant.

OPEN SKATE

October 23, 2023 - February 28, 2024

Friday & Saturday 6-9 p.m. **Sunday 5-8 p.m.**

No Skate 12/24, 12/25, 12/31 and 1/1

Little Bear West Arena - 108 N. Cedar Street
Present membership card to the desk attendant.

FITNESS CENTER

November 1, 2023 - December 31, 2024

24/7 Access

Yooper Fitness Center - 215 Oak Street
Register online at www.yooperfitness.net

Parties:
The Elder Holiday Party in Marquette, which is a combination of Units 4 and 5, will be Thursday, Dec. 7, 6 p.m. EST at the Holiday Inn in Marquette.
The Elder Holiday Party in Manistique will be held Dec. 7, 6 p.m. EST at the Manistique Tribal Center. To RSVP, please call (906) 341-9564.
The Elder Holiday Party in Escanaba will be held Dec. 13, 6 p.m. EST at the Island Resort and Casino. To RSVP, please call (920) 713-2903.
October Activities
Tribal Homeland Security Advisory Council (THSAC): I

and the rest of THSAC are working on creating collaborative work groups to begin addressing the issues that affect Indian Country. There is information I am not authorized to release regarding the THSAC, at this time, but what I can share is that we are working as a collaborative group of various tribal leaders on priorities to help protect and advocate for all tribal nations. I will provide the assurance that task groups have been created to focus on cybersecurity, grants and funding, as well as a group focused on Murdered and Missing Indigenous Peoples (MMIP), which I am assigned to. The task group for MMIP has

ESCANABA

Northern Lights YMCA
2000 N. 30th Street, (906) 789.0005
www.nlymca.com/delta

FREE to Sault Tribe members: fitness center, sauna, gymnasium, walking track, locker rooms and fitness classes. Sault Tribe members receive member rates for programs at the YMCA.

Hours:
Monday thru Friday: 5 a.m. to 9 p.m.
Saturday: 7 a.m. to 9 p.m.
Sunday: 11 a.m. to 7 p.m.

CLOSED: Nov. 23, Dec. 24 @ 12 p.m., Dec. 25, Dec. 31 @ 5 p.m., Jan. 1 and March 31.

YMCA Aquatics - Pool and Hot Tub
2001 N. Lincoln Road, (906) 789.0005

Pool Schedule: www.nlymca.com/delta/schedules

CLOSED: Nov. 23, Dec. 24 @ 12 p.m., Dec. 25, Dec. 31 @ 5 p.m., Jan. 1 and March 31.

Present Tribal ID to desk attendant.

Age restrictions may apply.

EFFECTIVE

11/2/23

Services subject to change after publication date

Sullivan's Health & Fitness
1605 Sheridan Road, (906) 217.2011
www.sullivanshealthandfitness.com

FREE for Sault Tribe members, their spouses and children residing in the Escanaba area. Large open group exercise area with exercise machines, workout equipment, free weights and bench stations.

Hours:
Monday thru Friday: 5 p.m. to 7 a.m.
Saturday and Sunday: Open 24/7

been busy meeting with different agencies, has started gathering data, and will soon be drafting a briefing on how to improve education and prevention of MMIP. The first set of report briefings will be submitted for review in January 2024.
Manistique Fitness Center and Escanaba Community Center: The Manistique Fitness Center project has begun and is making great progress. The Escanaba Community Center project has made a lot of progress. Throughout the month of October there were regular progress meetings between all parties involved in both projects. I look forward to seeing these projects move toward completion which will likely be pushed out until the beginning of 2024.
Looking Forward
LIHEAP—I would like to remind everyone that the Sault Tribe’s Low Income Home Energy Assistance Program (LIHEAP) which became available beginning Nov. 1. In order to receive an application, visit your local

ACFS office. This is a first-come, first-served program, so apply as soon as you can. The Manistique ACFS office is located within the Manistique Tribal Health Center.
Feeding America-Drive Thru will be held on Wednesday, Nov. 29 at 10 a.m. EST located at Central Park Ball Field, on Tannery Rd, 345 Elm Street, Manistique, MI. Feeding America offers free food distribution for anyone and everyone.
I look forward to re-engaging with members during Katchup with Kim sessions, catching up on those messages, voicemails, etc. that need to be followed up on, as well as moving forward on goals I have for Unit 4 and working with the rest of the board of directors to move Sault Tribe toward unity and success.
Chi Miigwech for allowing me to represent and advocate for our members. I am always available for questions, comments, and ideas for growth. My number is (906) 440-8138, email is KHampton@saulttribe.net. Kimberly Hampton, Unit 4 Representative.

Improving health care; separation of powers



**BETTY FREIHEIT,
DIRECTOR, UNIT I**

Hello Tribal Members,
Well, the removal process for Darcy Morrow is over. While she participated in a seditious meeting to throw out the 2022 tribal board election three days before the outcome and recorded a portion of the Sault Tribe board meeting without consent (even after having been warned not to) the removal process resulted in a dismissal of the petition on a procedural matter. The fact remains, that she tried to thwart our elections due to her mother's landslide election loss. I believe that the 100% incumbents' election loss in 2022 was due to ignoring the needs of our at large members during a world wide pandemic and as a result of the political coup against former Chairperson Aaron Payment. While the remaining incumbents (Darcy Morrow, Bridget Sorenson, Mike McKerchie and Lana Causley) also participated in the coup, Sault Tribe members remember.

Next, I'd like to explain the new board and my vote to improve our health care delivery system. When the Affordable Care Act (ACA) was passed in 2010, it provided special provisions for American Indians including open enrollment as a treaty and trust obligation. The United States already provides

funding to tribes as part of the treaty and trust obligation, but we are vastly underfunded.

It surprises some to realize we received funds per our IHS Annual Funding Agreement Purchased and Referred Services funds only for our tribal members who live in the seven-county service area. This is unfair as it is only about one-third of our total membership population. The ACA, however, provides a level of portability for health care that allows individuals to seek care where they wish. But you have to apply and there is an income eligibility determination while IHS benefits are not based on income.

Third Party Revenues

Way back in 2005, when new Health Director Bonnie Culfa was hired, she worked to restructure our health and behavioral health services to maximize third party insurance revenues. As a result, these revenues moved from about \$1.5 million to over \$12 million annually. The 2010 ACA added about \$8 million more in third party revenues such that it now represents one-third of our health funding. I remain concerned that we are sitting on unrealized third party revenues as a result of not more affirmatively signing up tribal members under the ACA Medicaid Expansion and by not focusing on the quality of care as those who do have insurance can choose to seek care elsewhere.

This brings me to the recent board decision to contract with a consulting firm to realign our practice to capture our opportunities while improving the quality of care at our health facilities. I admit I am critical of our Sault Tribe health system. My brother passed away a few years ago due in part to the misdiagnosis of a terminal illness. I realize we do not have an oncologist on staff, but with the opportunities under the ACA and increased third party revenues, can we really afford not to catch diseases earlier that may

save someone's life?

While health care should be a right for all, it is an established treaty right. It is my observation that we operate a health system as a government rather than through an entrepreneurial approach. Contracting with an outside firm who are experts at modeling tribal health care delivery systems and maximizing our third party revenues is a way to "see the forest through the trees."

In the exploratory phase, a delegation of the board met with Chairman Ron Allen of the James Town S'Klallam Tribe, whose tribe is about one-fifth the size of our tribe but with over four times the revenue through their entrepreneurial approach while remaining attuned to the quality of care. This is important, as patients with health insurance can choose to go elsewhere. Chairman Allen is a tribal advisor to Bluestone Strategies Consulting firm, which is a tribally owned company that specializes in working with tribal nations.

I am never going to mince words, but my support for this contractual review of our health delivery system is not as an indictment of our current system, it is to improve and to adopt a new system of continuous improvement that should lead to improved quality of care, greater capture of third party insurance, and therefore expansion of health care delivery for all members.

At Large Health Care

Next up should be expansion of our purchased and referred services area to include Emmet and Cheboygan counties in phase one and looking to expand beyond in order to capture revenues for tribal members already being seen but having to travel to our existing health facilities in the U.P. Our at large members deserve better than to table this issue into a black hole. Other board members have campaigned on this very idea but have done nothing to advance

it. In the past, Board Member Austin Lowes and I introduced resolutions several times to add Emmet and Cheboygan, only to have our resolutions tabled by the likes of Bridget Sorenson, Lana Causley, Darcy Morrow and Mike McKerchie. I am putting Shawn Borowicz on notice that I need a second to my motion to get the ball rolling on this. Stay tuned to see if he supports this resolution.

Constitutional Reform

Now, I'd like to return to a long term government reform issue in the form of adopting a new Tribal Constitution or at least voting by resolution to call on U.S. Secretary of Interior Deb Haaland to conduct a Secretarial election to amend parts of our Constitution including a separation of powers, standing of tribal citizens in Tribal Court to bring an action against the Sault Tribe Board and Administration if they are denied their Tribal Constitutional rights. Next month, I will provide a detailed history of the nearly 1/2 a million dollars spent on this issue thus far, the nearly 18 years since the Board voted to establish a Constitutional Convention Committee.

In 2013 a work group of Elders, former Constitutional Convention Committee Members and the Tribal Board processed through the previous 2007 draft and tracked changes in a document. Board members Lana Causley, Bridget Sorenson and Darcy Morrow boycotted these sessions. Our very own Sault Tribe citizen Angeline Bouley facilitated this process and kept the working draft with Microsoft track changes. In 2013, the last draft was posted in the Sault Tribe News and on social media. If you'd like a copy of the draft, please let me know.

Next month, I will detail out the most important draft changes that focus on tribal citizens' due

process rights, the right to have Constitutional issues brought to court, tribal citizen standing in Tribal Court and a separation of powers to evolve our tribal government. Our legacy should not be that we thwarted change to insulate the board from the membership; it should be that we left a lasting legacy of a true balance of powers to strengthen our democracy and benefit future generations.

Return on Investment?

For now, remember that those who have been paid an annual \$67,500 board salary for up to 20 years have done nothing to advance this issue including the following:

None of these board members have brought any resolutions

\$1,350,000 Lana Causley
\$810,000 Bridget Sorenson
\$810,000 Darcy Morrow
\$540,000 Mike McKerchie

\$3,510,000 Total

forward to invite the tribal voters to amend the Constitution nor have any of them been willing to second my past motions. When Austin Lowes was elected to the board, he was finally a second to my motion. At several board meetings, he and I brought this forward only to have the old guard (Causley, Sorenson, Morrow and McKerchie) vote to table the issue with no plan or intent to ever bring it forward. Why? Could it be that they enjoy unchecked authority and denying you your most basic rights in a democracy?

Please keep yourself and family safe. Help your neighbors anytime you can. And please look out for our elders.

Betty F. Freiheit
Unit 1 Director
bfreiheit@saulttribe.net
(906) 379-8745

Changes within the tribe should be continuous



**ISAAC MCKECHNIE
DIRECTOR, UNIT I**

Aaniin,
Team members, Thanksgiving is a time to reflect on the things we are most grateful for, and on the top of my list is our employees. We are what we are because of you, so thank you for all your love, effort and dedication! To our citizens, I am not sure how to show my gratitude for your continued support since the day I was elected. You're the best. Happy Thanksgiving.

Constitutional Reform

I am hoping within the next few months we will be addressing constitutional reform. Our tribe is long overdue for revisions to the Constitution. Our Constitution was ratified in 1975 and has been referred to by many as a "cookie cutter constitution," meaning it was very close to a general template to establish federal recognition. Constitutional reform to me will mean the relinquishment of legislative authority currently held by the board, placing more power in the membership. This reform effort must be membership driven and we must allow every opportunity for members to voice their concerns and participate in any proposed revisions to the existing Constitution.

Human Resources

Changes within the tribe should be a continuous process and should remain this way for us to keep pace with the world. I am tired of hearing that we have looked at this in the past but did not act on it. So, one of the

most recent changes was made to separate our Human Resources (HR) Department to better serve our business needs. Our plan is, that once HR is separated, the hiring process will become more efficient throughout the tribe, relieving the employment gaps that current exist in the hiring process, more flexibility with management, and fill our long list of open positions, if you know of anyone looking employment please encourage them to apply here: <https://saulttribe.hirecentric.com/jobsearch/>.

Healthcare Reform

We recently conducted a two-day meeting with Blue Stone Strategy Partners and I plan to support the resolution to bring them in to help us with healthcare reform visions, which is needed. As I stated in my last unit report, I look at healthcare as an opportunity to improve the quality of our healthcare and our next revenue source to self-sufficiency. So just imagine when we are done we will be able to offer telemedical services to all of our

members no matter where they reside.

Open Enrollment / Referendum

You still have time to vote on whether or not to open the rolls. I placed this resolution on the agenda and garnered support to open the rolls. I believe it is the right thing to do and will be voting to approve this referendum. The Constitution clearly identifies the Six Historical Bands and reads, "All persons descended from the six historical bands (Grand Island, Point Iroquois, Sault Ste. Marie, Garden River, Sugar Island and Drummond Island Bands) of the Sault Ste. Marie Chippewa Indians whose names appear on any historical roll, census or record made by officials of the Department of the Interior or Bureau of Indian Affairs." In 1978, the board of directors added the Mackinac Band to the Membership Ordinance via a code change. Some believe this decision was unconstitutional, I do not and stand by my decision to open the rolls.

Furthermore, I believe that we are all related in blood and there is no room for lateral racism within our tribe. The Mackinaw Band currently represents over half the 50,000 citizens in our tribe.

Lodge of Hope / Homeless Shelter

The Lodge of Hope is looking for your support, whether it be a monetary donation, winter clothing, food, or if you just want to volunteer.

Please contact: Annette J. Thibert at (906) 632-5000 or AJThibert@saulttribe.net.

Get involved in your tribe

I would like to encourage every Sault Tribe citizen to attend our board workshops and meetings either in person or via Zoom. To sign up for Zoom participation go to the Sault Tribe's website and fill out the Sault Tribe Membership Participation form.

Happy Holidays,
Isaac Mckechnie
(906) 440-6661 or Imckechnie@saulttribe.net

Unit V powwow at NEMU a joint endeavour



TYLER LAPLAUNT
DIRECTOR, UNIT V

Aanii, Boozhoo!

As the weather continues to turn, we are quickly heading from a time of reflection and inner work to a time of teaching and learning as we hit the winter months. If you don't already have a relationship with them, I'd highly suggest reaching out to our Traditional Medicine department and scheduling a visit if you are able.

We have some amazing staff in Traditional Medicine, and if you've never been, they will gladly walk you through how to set up an appointment and what to expect. You can call Traditional Medicine directly at (906) 632-0236.

For those of you in Unit 5 and beyond, we have a great opportunity to experience a powwow, whether you're a powwow veteran or a first timer, everyone is welcome. Unit 5 Elders are working in unison with the Northern Michigan University Native American Student Association to host a Unit 5 powwow on Dec. 2 at the NEMU Northern Center. We just finalized all of our lead staff and drum groups and it's sure to be an amazing event.

In the spirit of togetherness, the Powwow Committee decided to name this event the Grand Island – Presque Isle Learning to Walk Together Pow Wow. The name has quite a bit of significance as we are all learning to walk together, plan together, and disagree together in a civil way (at the board level, too). It's also been an amazing experience on my end seeing the elders and the Native students learn to walk together in their own way and communicate to bring this event together. Elders and youth working together, teaching together, and learning together is the essence of our cultural ways. I'm very heartened at how well they brought this together in a good way, and I hope that everyone that comes feels the love and positive energy that was put into making this event come to fruition, in a good way. I'd like to thank everyone who had a part in the planning, chi miigwech!

Also, heading into December, the Unit 5 Children's Christmas parties will be happening in both Munising and Marquette this year. Munising's will be hosted on Dec. 10 at the Tribal Health Center Community Center in Munising. Marquette's will be hosted on Dec. 17 at the

Northern Center at NEMU. Details to register will be announced very soon.

As I have mentioned in the past, we are working on completely separating Kewadin out as an independent organization. I'm happy to announce that we have identified a Kewadin CFO, and they have accepted the position. Now, once they stand up their own HR, they should be fully independent and more streamlined in the future to operate as a business independently. I'd like to take a moment to recognize all of the staff and administration at our Kewadin Casinos as we continue to roll out changes to make them more efficient and effective. Thank you all for your dedication and effort.

I'm also excited to mention that bids have come back in for the repairs and remodels to the Sault Kewadin and construction will be beginning very soon. This will provide much needed repairs and renovations to our flagship property. In addition to the already planned work, our Kewadin team is very close to closing a deal with a restaurateur that could make our casino a premier destination for both entertainment and foodies alike. I'd like to thank Director Isaac McKechnie for making the contacts and getting the ball rolling.

With changes to the Kewadin slowly unfolding over the next few years, our attention now shifts to the Health Division. Over the past few months, Chairman Lowes and I, along with a few other board members, have made a few visits to a state-of-the-art Tribal Health Center operated by Jamestown S'Klallam Tribe. The purpose of these visits was to look at the operational integrity of their Health Division and vet all aspects to get a good business understanding of what they are doing right and what they are doing wrong. We did this because a company called Blue Stone Strategy Partners was integral in helping Jamestown change their tribal health for the better.

After a few months of vetting Blue Stone's work, which included outreach to other tribes that have worked with them for health-related work, we've decided as a board to move forward with hiring Blue Stone, not just for a comprehensive analysis of what is going on across our entire region, but implementation of strategy changes as well.

This will be a huge endeavor that will likely take anywhere from 18 to 24 months from start to finish. Our goal is to have the best tribal healthcare system East of the Mississippi. There will be a few implementation strategies of things we know need to be changed now, that will be assisted by Blue Stone simultaneous of the health system review. One of the most important changes will be that of our antiquated Electronic Health Record system or EHR. Currently, we are one of the few tribes in Michigan, and the region for that matter, that

still uses the RPMS system given to us by the federal government. That system never worked well, even at it's prime, and it is causing huge inefficiencies in the Health Division.

Additionally, we are going to start treating our Health Division like a business and it is going to be operating in an efficient and effective manner. Quality and timely healthcare to our membership will be our top priority. We need to be able to get patients in and seen when they have an acute (immediate) need for treatment. The longer a patient goes unseen, the more likely they are to develop chronic and complex health issues that are harder to treat and could seriously impact a patient's quality of life. Our people are our number one driver for improving our Health Division, healthcare is a treaty right, and we want our people to receive the best care possible. Period.

We are also looking at potentially serving our surrounding communities to create a new revenue stream for our tribe. Health is a huge economic driver, and I'd argue that if done right, will surpass our gaming revenue in the next 10 years. The more the Health Division is able to bill back to IHS and third party billers, the more services can be covered that benefit all of our tribal people. In just one day on site, Blue Stone was able to find us almost a \$1 million savings to our tribal government. In just one day! Imagine what they will

uncover in the long-term.

Just like with the Kewadin, we know that change can be scary for the Health Division staff, and we thank you for taking care of our people. We all know that we have a lot of great employees across our tribe and it's not anyone's fault that bureaucracy and failed policy have created inefficiencies that are exaggerated to the point where we are looking at a full system overhaul. We ask that everyone keep an open mind and help us become the model for tribal health on this side of the country. I'm so very appreciative of everything that Jamestown S'Klallam shared with us and we can't wait for you to see this unfold.

On a final note, we are nearing

the completion of our Election Code overhaul with our Legal Department. With elections right around the corner, I'm hoping that we as a board can agree to the much-needed changes. We need to get these changes passed and sent out to membership as soon as possible so that candidates for the upcoming election can be prepared. My hope is that by our next unit report, everything will be updated, revised, and approved.

Take care and Happy Holidays everyone!

Chi Miigwech,
Tyler Migizii Migwan
LaPlaunt

Unit 5 Director/Vice-Chairman
tlaplaunt@saulttribe.net
(906) 440-8294

\$1,000!
TED Scholarship
Extended Deadline!! Dec 31st, 2023
Part & Full Time Trade School **Eligible!** Graduate School
For more information, visit SaultTribe.com/membership-services/education OR call: 906-632-8797
Apply Now!

Grand Island - Presque Isle Learning to Walk Together Powwow
December 2, 2023
Northern Center Grand Ballroom
Marquette, MI
Grand Entries at 1pm and 7pm EST
Feast at 5pm EST

Host Drum: Tomahawk Circle	Co Host Drum: Four Thunders
Invited Drums: Hay Creek Teal Lake Singers	Head Dancers: Lorraina Thompson Tyson Webster
Arena Director: John Teller Jr.	Emcee: Joel Syrette
Head Veteran: Dave Martin	Feast Advisor: Elena Terry

Open to the public, everyone is welcome!
No alcohol, drugs, politics, or pets.
For additional information contact nasa@nmu.edu
Fancy Shawl artwork created by Reese Carter



Kewadin
CASINOS

KEWADIN CASINOS
ENTERTAINMENT

KENNY G

THE MIRACLES HOLIDAY & HITS TOUR 2023

SATURDAY
DECEMBER 9 AT 8 P.M.

TICKETS START AT \$46.50
DREAMMAKERS THEATER



THE GANG'S ALL HERE TOUR

SKID ROW



PRESENTED BY
SCOTT COOK'S HAIR SCARE

SKIDROW.COM
BUCKCHERRY.COM



MARCH 23 | 8 P.M.

DREAMMAKERS THEATER
TICKETS START AT \$45

Buckcherry



WITH SPECIAL GUEST *Britny Fox*



1-800-KEWADIN
tickets.kewadin.com